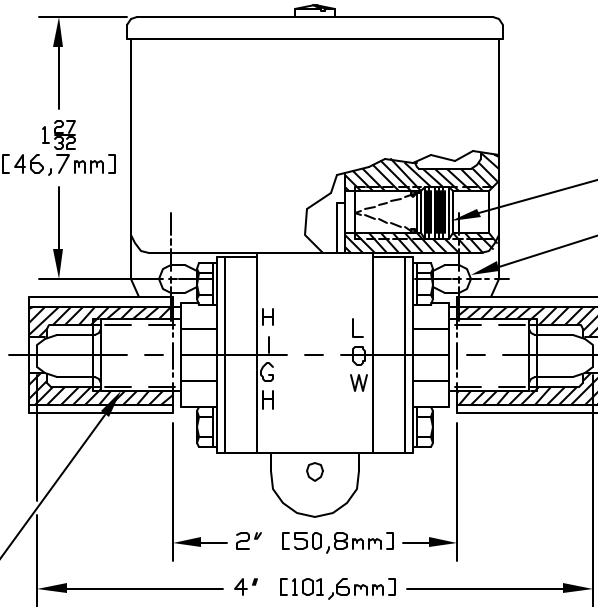
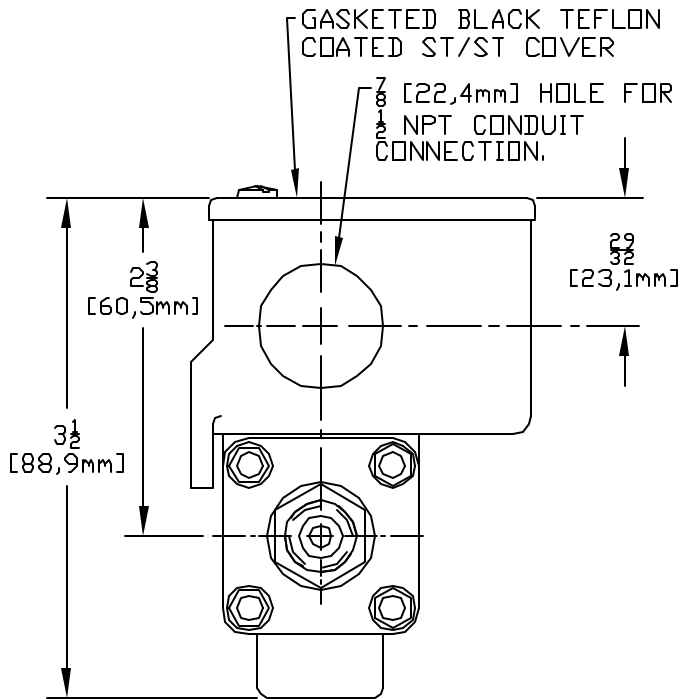
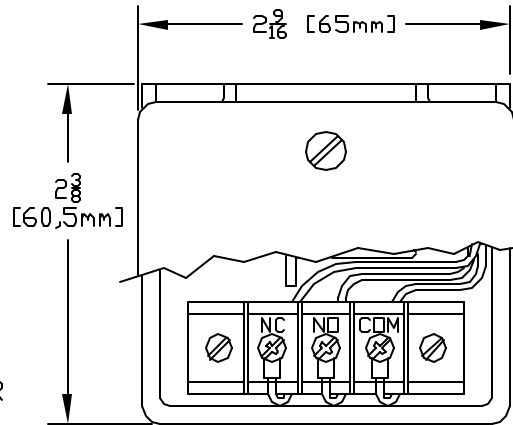


SPECIFICATIONS:
 RANGE: SEE TABLE.
 E/R: 5 AMP 125/250 VAC
 DEADBAND: SEE TABLE.
 WETTED MATERIAL: PFA TEFLON PRESSURE CONNECTION AND DIAPHRAGM (PVD TEFLON NUTS).
 SYSTEM WORKING PRESSURE: 0 TO 100 psi. (0 to 6.9 bar)
 DIFFERENTIAL PROOF PRESSURE: 100 psid (6.9 bar) AT EITHER PORT.

MODEL	RANGE		DEADBAND TYP.	
	psid	bar	psi	mbar
030	1 to 10	68.9 mbar to 0,7	0.75	51,7
031	4 to 45	0.3 to 3.1	1.0	68,9



EXTERNAL ADJUSTING SCREW.
 #6 SCREW CLEARANCE HOLES FOR SURFACE MOUNTING IN ANY POSITION.

1/4" FLARETEK® STYLE, PRESSURE CONNECTIONS & NUTS 2 PLACES

SYM	DESCRIPTION	DATE	DWN	APPD
E	ADDED METRIC EQUIVALENTS. ADDED "(PVD TEFLON NUTS)" TO WETTED MATL SPEC. ECN#E1157	3-22-05	S.R.	HN
D	ADDED bar. ECN# E0054	10/9/02	PLW	HN.
C	ADDED "BLACK TEFLON COATED" TO GASKETED ST/ST COVER. ECN#C6412	4-23-97	P.W.	A.M.
B	DELETED WIRING DIAGRAM. REARRANGED NOTES. ADDED 2-9/16 DIM. ECN#C5401	4-5-96	P.W.	A.M.
A	FIRST ISSUE. ECN#C5243	3-1-96	P.W.	A.M.
REVISIONS				

ORIGINAL DATE 7-28-95
DRWN PETER WEILER
CHKD PETER WEILER
APPD A.MINASSIAN
UNLESS OTHERWISE SPECIFIED DIMENSIONS ARE IN INCHES
DO NOT SCALE THIS DRAWING

TITLE	DELTA-PRO
	DIFF'L-PRESSURE
	SWITCH
	#24 SERIES
SCALE	3/4:1

DF001D
UNITED ELECTRIC CONTROLS COMPANY
WATERTOWN * MASSACHUSETTS
DWG NO
A-13368