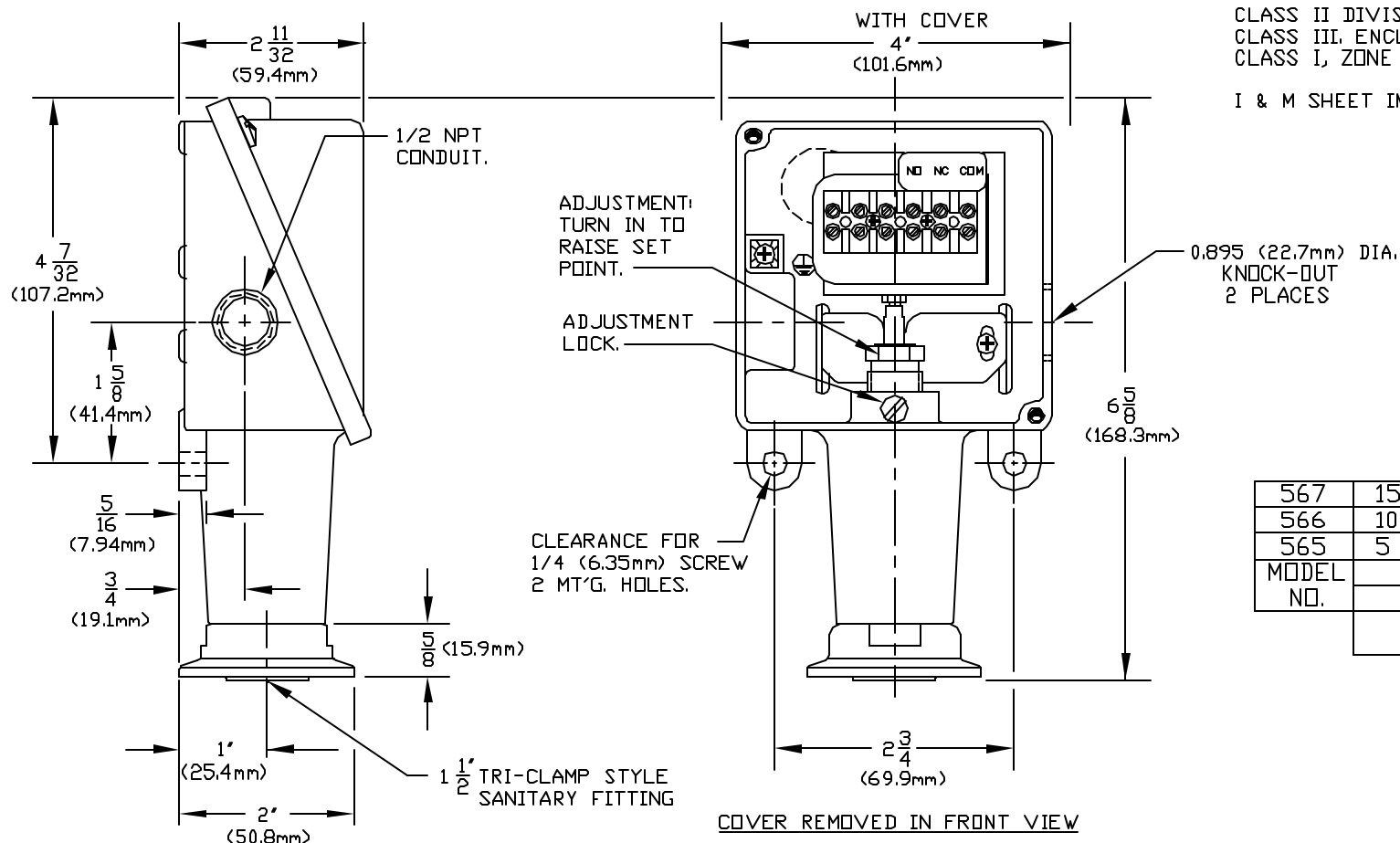


UL LISTED, cUL CERTIFIED.  
 CLASS I DIVISION 2, GROUPS A, B, C, D.  
 CLASS II DIVISION 2, GROUP F, G.  
 CLASS III, ENCLOSURE TYPE 4X  
 CLASS I, ZONE 2, GROUP IIC T6

I & M SHEET IMP117.




567	15 TO 300	1.03 TO 20.68
566	10 TO 100	0.69 TO 6.90
565	5 TO 30	0.34 TO 2.07
MODEL NO.	PSI	BAR
	ADJUSTABLE RANGE	
	LOW END OF RANGE ON FALL	
	HIGH END OF RANGE ON RISE	

E	REVISED VIEW OF TERMINAL BLOCK & SPECS.. ECN#C8438	11-22-99	S.R.	VPD
D	CERTIFICATION WAS CSA REQUIREMENT NOTE WAS NEMA 4X, 7, 9. ECN#C7775	12-3-98	P.W.	S.F.
C	ADDED 1" (25.4mm) & 3/16 (7.94mm) DIMENSIONS. ECN#C6848	10-31-97	P.W.	A.M.
B	CLASS III WAS NEMA 4, 4X, 9, IP65. DELETED GROUPS E & F. REVISED ENCLOSURE & COVER ON "M" DW'G. ECN#C5183	1-16-96	P.W.	J.S.M.
A	FIRST ISSUE. ECN#C5104	12-12-95	P.W.	L.K.
SYM	DESCRIPTION	DATE	DWN	APPD
REVISIONS				

ORIGINAL DATE	12-5-95
TITLE	H117
CHKD	PETER WEILER
APPD	L.KHATCHADOURIAN
UNLESS OTHERWISE SPECIFIED DIMENSIONS ARE IN INCHES TOLERANCES ON FRACTIONS ±1/64 2 PLACE DEC 3 PLACE DEC ANGLES ±.010 ±.005 ±1/2°	
DO NOT SCALE THIS DRAWING	

PROCESS	SCALE HALF
---------	------------

DF1



UNITED ELECTRIC  
 CONTROLS COMPANY  
 WATERTOWN \* MASSACHUSETTS

DWG NO  
 A-13363