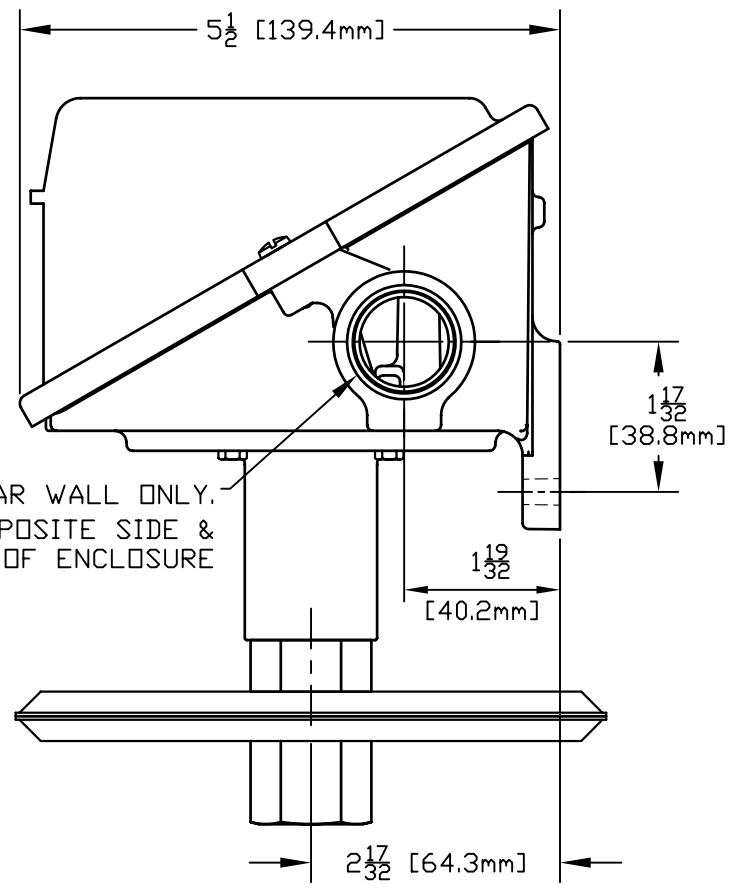
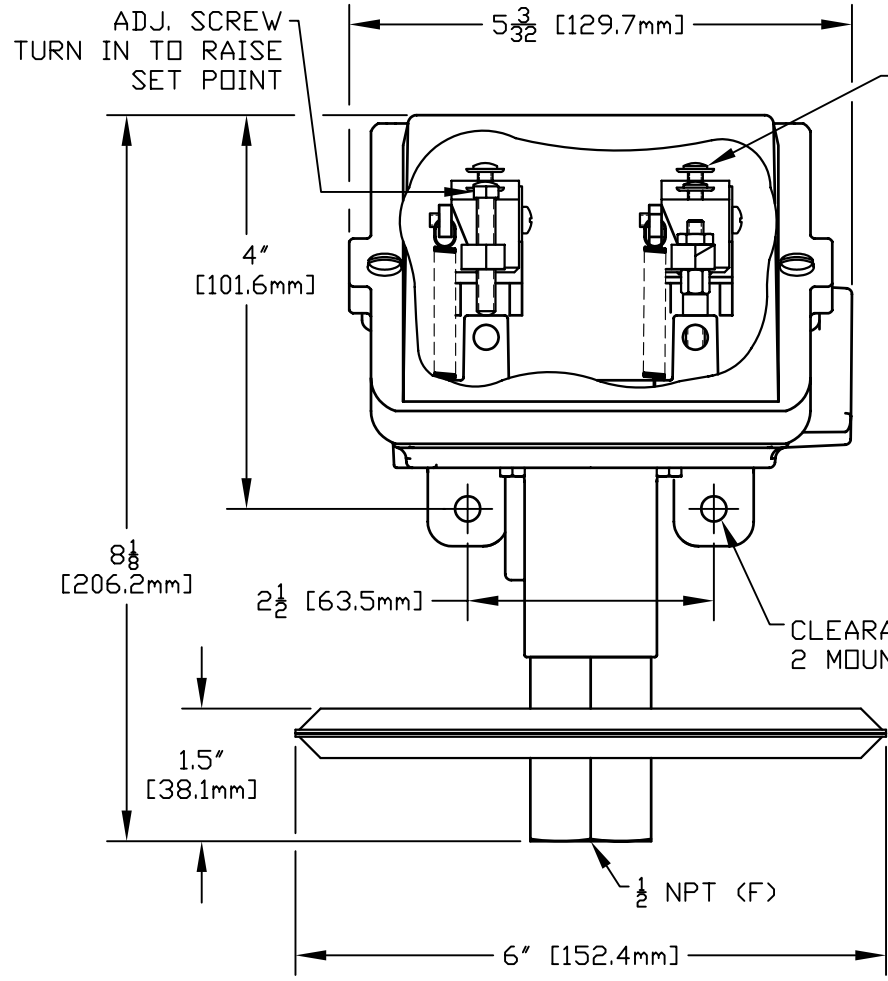


UL LISTED, CSA CERTIFIED, NEMA 4.  
I & M SHEET IMP400.



3/4-14 NPT THRU NEAR WALL ONLY.  
Ø 7/8 KNOCKOUT ON OPPOSITE SIDE &  
CENTERED IN REAR OF ENCLOSURE

AGENCY CRITICAL DOCUMENT,  
NO REVISIONS ALLOWED WITHOUT  
UEC ENGINEERING APPROVAL.

535	10 TO 250	24,91 TO 622,70
534	2.5 TO 50	6,23 TO 124,54
533	0.5 TO 5	1,25 TO 12,45
532	-50 TO 50	-124,54 TO 124,54
531	-10 TO 10	-24,91 TO 24,91
530	-300 TO 0	-747,24 TO 0
MODEL NO.	*WC	mBAR
	ADJUSTABLE RANGE	
	LOW END OF RANGE ON FALL	
	HIGH END OF RANGE ON RISE	

SYM	DESCRIPTION	DATE	DWN	APPD
G	DEL. VENT HOLE NOTE. ECN#E1269	6-23-05	S.R.	LK
F	REDRAWN. UPDATED ENCLOSURE. ECN#E0821	6-28-04	SR	HN
REVISIONS				

ORIGINAL DATE	9-27-94
DRWN	PETER WEILER
CHKD	PETER WEILER
APPD	L.KHATCHADOURIAN
UNLESS OTHERWISE SPECIFIED DIMENSIONS ARE IN INCHES	
DO NOT SCALE THIS DRAWING	

TITLE	J402 530 TO 535
SCALE	1:2

DF001D

UNITED ELECTRIC  
CONTROLS COMPANY  
WATERTOWN \* MASSACHUSETTS

DWG NO  
A-12978