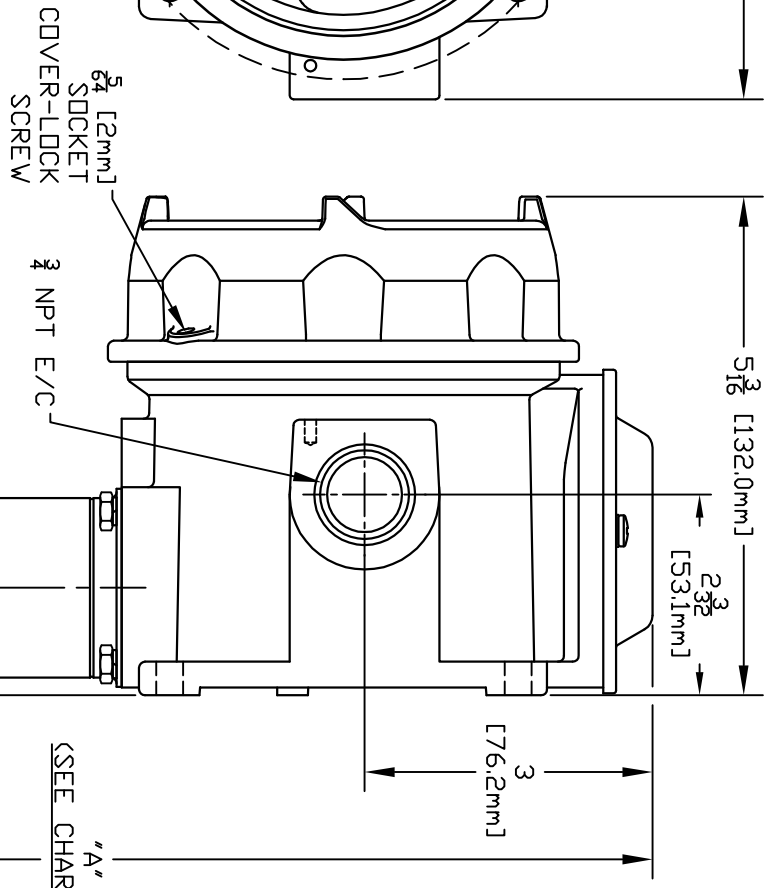
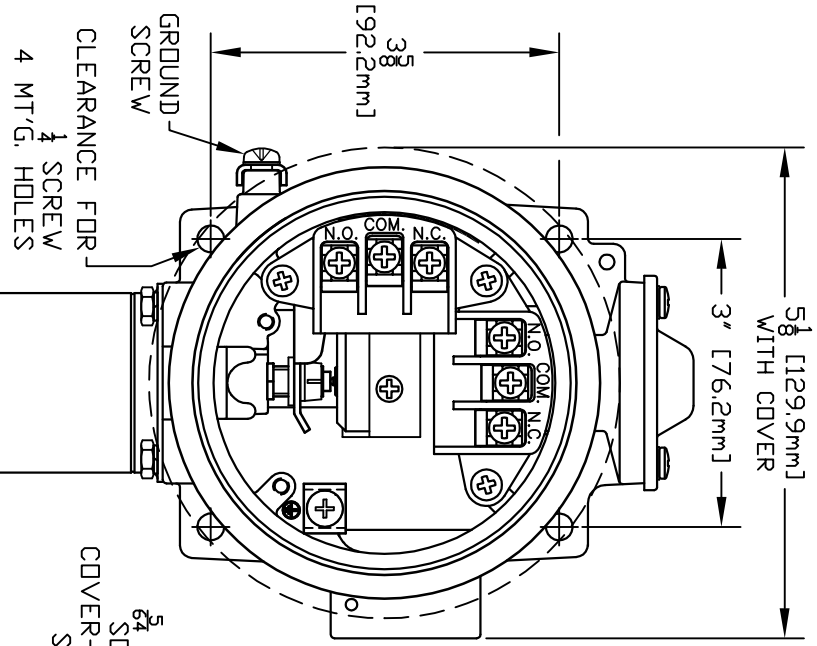


A-12951



**COVER REMOVED  
IN FRONT VIEW**

(SEE CHART "A")

(SEE CHART "A")

CHART "A"	
MODEL NO	DIM "A" NPT
126-164	8 3/8 [205.6mm]
S126B-S164B	8 1/2 [215.9mm]


CHART "B"	
MODEL NO.	ADJUSTABLE RANGE
164 S164B	0 to 200
156 S156B	0 to 100
146 S146B	0 to 30
144 S144B	0 to 20
134 S134B	30" Hg Vac to 20 psi
126 S126B	30" Hg Vac to 0 psi


LOW END OF RANGE ON FALL  
HIGH END OF RANGE ON RISE

SYM	DESCRIPTION	DATE	DWN	APPD
H	UPDATED ENCLOSURE. ECN#E4345.	2-17-12	RCI	SJM
G	REPLACED CENELEC APPROVAL WITH ATEX APPROVAL. ECN#E0368	6-17-03	S.R.	LK
F	CHANGED kPa TO bar. ECN#E0053	10/7/02	AB	HN
E	ADDED CENELEC & CE APPROVALS. ECN#E0009	8-27-02	S.R.	LK
D	UPDATED ENCLOSURE & COVER. ECN#C9734	3-26-02	S.R.	LK
C	REDRAWN PER REDESIGN W/FLANGE. MODELS S126B TO S164B WERE DN DWG#12952. ECN#C6180	2-4-97	S.R.	JJM

REV	DATE	BY	CHKD	APPD	DESCRIPTION
1	9-6-94	PETER WEILLER	PETER WEILLER	A. MINASSIAN	ORIGINAL DATE
2	9-6-94	PETER WEILLER	PETER WEILLER	A. MINASSIAN	DRWN
3	9-6-94	PETER WEILLER	PETER WEILLER	A. MINASSIAN	CHKD
4	9-6-94	PETER WEILLER	PETER WEILLER	A. MINASSIAN	APPD

TITLE	SCALE	DWG NO
H122P 126 TD 164, S126B TD S164B	1:2	A-12951


**UNITED ELECTRIC**  
 REV. C  
 CONTROL COMPANY  
 WATERTOWN \* MASSACHUSETTS

**APPROVALS:**  
 CULUS LISTED  
 CLASS I, DIVISIONS 1 & 2, cULus  
 GROUPS B, C & D  
 CLASS II, DIVISIONS 1 & 2,  
 GROUPS E, F & G  
 CLASS III  
 -50°C ≤ Tamb, ≤ +71°C  
 CLASS I, ZONE 1, GROUP IIB + H<sub>2</sub> T6  
 ENCLOSURE TYPE 4X, 7, 9  
 0539 ATEX APPROVED  
 II 2 G/D EXX d IIC T6  
 -40°C ≤ Tamb, ≤ +71°C  
 IP66  
 CE COMPLIANT TO  
 APPLICABLE DIRECTIVES

REV	DATE	BY	CHKD	APPD	DESCRIPTION
1	9-6-94	PETER WEILLER	PETER WEILLER	A. MINASSIAN	ORIGINAL DATE
2	9-6-94	PETER WEILLER	PETER WEILLER	A. MINASSIAN	DRWN
3	9-6-94	PETER WEILLER	PETER WEILLER	A. MINASSIAN	CHKD
4	9-6-94	PETER WEILLER	PETER WEILLER	A. MINASSIAN	APPD