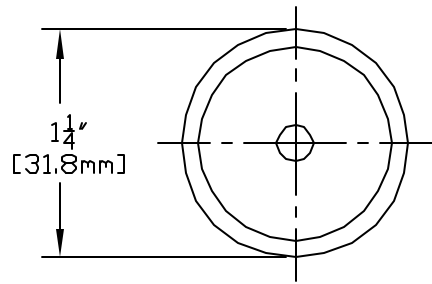
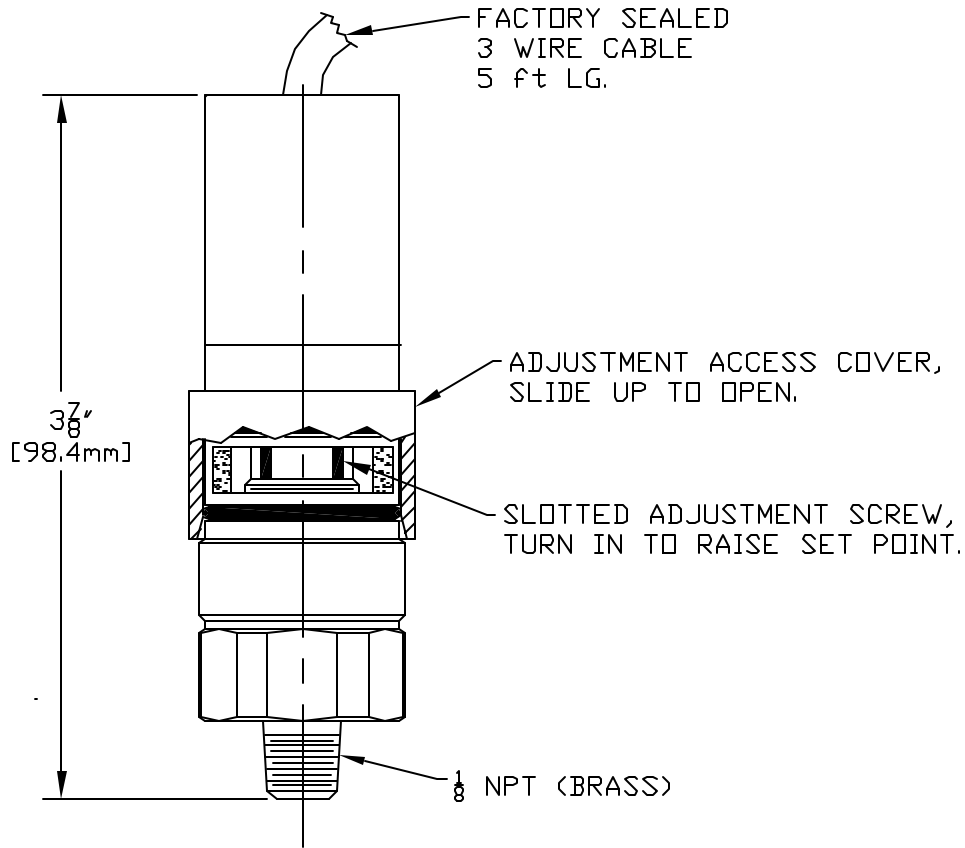


A-12927



WIRE COLOR CODING
 RED ——— N.O.
 BLACK ——— N.C.
 WHITE ——— COM.



MODEL NO.	ADJUSTABLE RANGE	
	psi	bar
10-G10	4 TO 50	0.3 TO 3.4
10-G11	10 TO 150	0.7 TO 10.3
10-G12	30 TO 600	2.1 TO 41.0


SPECIFICATIONS:
 UL RECOGNIZED, CSA CERTIFIED
 E/R: 5 AMPS 250 VAC

SYM	DESCRIPTION	DATE	DVN	APPD
E	CHANGED kPa TO bar. ECN#E0044	10-23-02	S.R.	H.N.
D	REVISED RANGES PER ECN#C5565	5-10-96	P.V.	L.K.
C	REV. HOUSING DIAPHRAGM ON "M" DWG. ECN#C4767	8-7-95	A.E.	L.K.
B	UPDATED NOTES ON "M" DWG. ECN#C4066	12-21-94	A.E.	G.F.Y.
A	FIRST ISSUE. ECN#C2216	3-10-93	A.E.	L.K.

REVISIONS

ORIGINAL DATE	3-5-93
DRWN	A. EBALD
CHKD	PETER WEILER
APPD	L. KHATCHADORIAN
UNLESS OTHERWISE SPECIFIED DIMENSIONS ARE IN INCHES	
DO NOT SCALE THIS DRAWING	

TITLE
 10-G
 SERIES
 (DIAPHRAGM)
 SCALE FULL

DF001D

 UNITED ELECTRIC
 CONTROLS COMPANY
 WATERTOWN * MASSACHUSETTS
 DVG NO
 A-12927