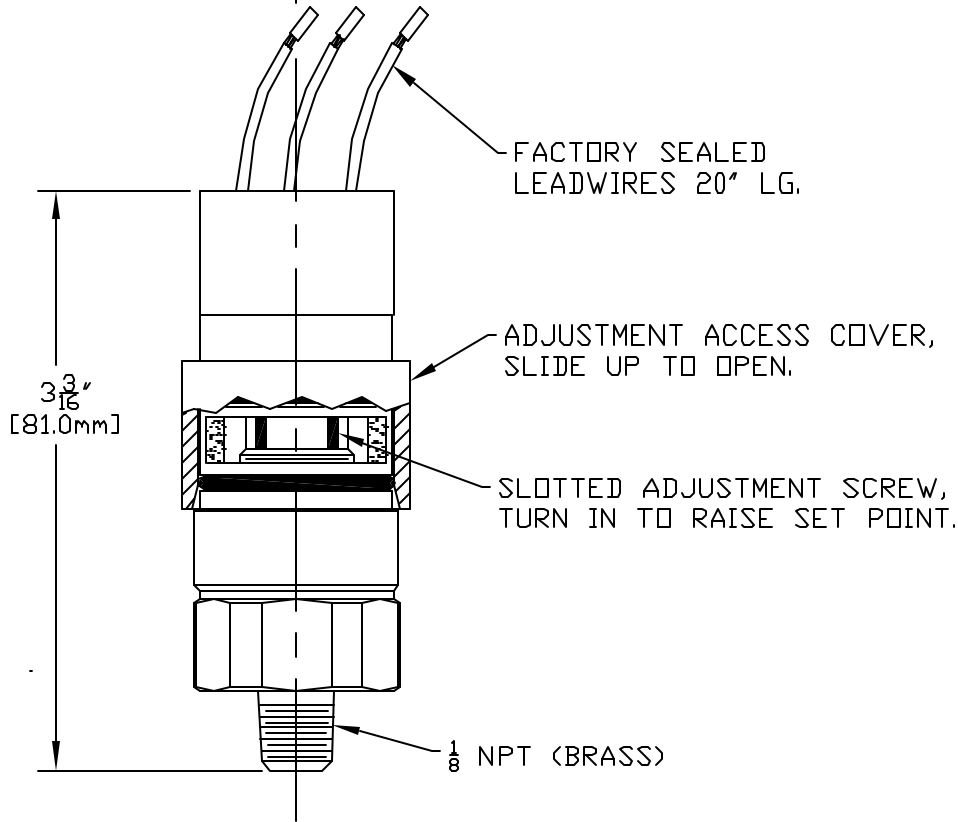


WIRE COLOR CODING  
 BLUE ——— N.O.  
 BLACK ——— N.C.  
 VIOLET ——— COM.




MODEL NO.	ADJUSTABLE RANGE	
	psi	bar
10-D10	4 TO 50	0.3 TO 3.4
10-D11	10 TO 150	0.7 TO 10.3
10-D12	30 TO 600	2.1 TO 41.0

SPECIFICATIONS:  
 UL RECOGNIZED, CSA CERTIFIED  
 E/R: 5 AMPS 250 VAC

SYM	DESCRIPTION	DATE	DN	APPD
J	CHANGED kPa TO bar. ECN#E0044	10-23-02	S.R.	H.N.
H	REDRAWN. REV. RANGES PER ECN#C5565	5-10-96	P.W.	L.K.
REVISIONS				

ORIGINAL DATE	2-26-91
DRWN	PETER WEILER
CHKD	A. BARTER
APPD	L. KHATCHADORIAN
UNLESS OTHERWISE SPECIFIED DIMENSIONS ARE IN INCHES	

TITLE	10-D SERIES (DIAPHRAGM)
SCALE	FULL

DF001D
 UNITED ELECTRIC CONTROLS COMPANY WATERTOWN * MASSACHUSETTS
DWG NO A-12859