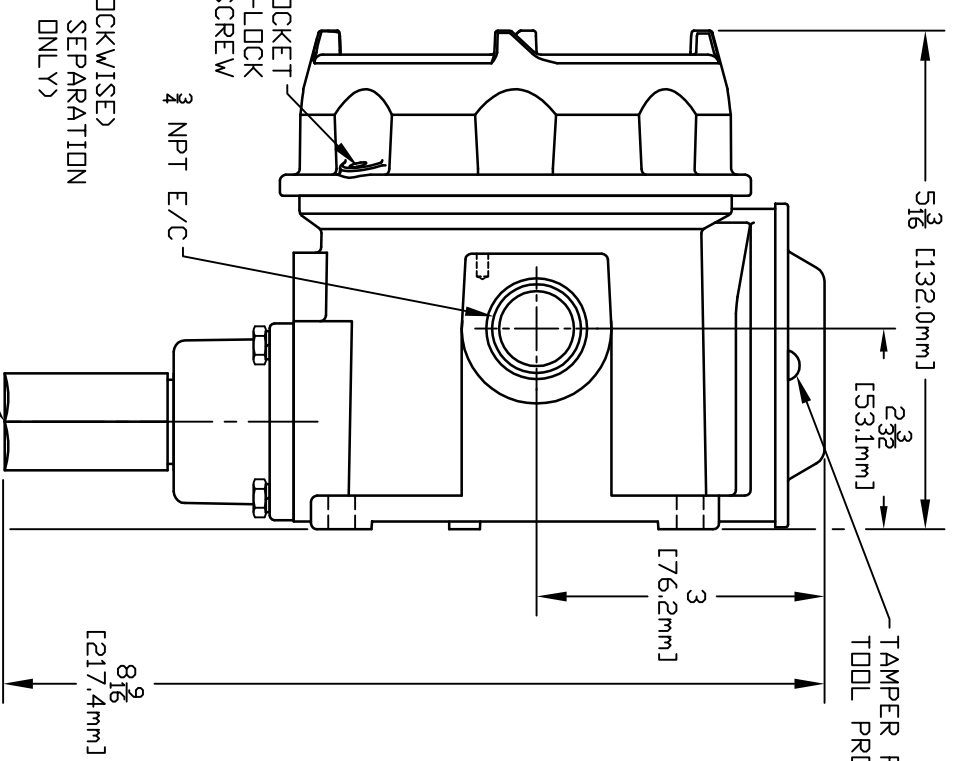


COVER REMOVED
IN FRONT VIEW



TAMPER PROOF SCREWS,
TOOL PROVIDED

SPECIFICATIONS:

TYPE: H122P-5355
 RANGE: 2 TO 20 psi
 (137.9 to 1379.0 mbar)
 E/R: 15 AMP 125/250 VAC
 WETTED MATERIAL: BRASS
 SET POINT: 6 psi ±2 DN RISE
 DIFFERENTIAL: 3±2 psi
 UL LISTED PRESSURE SWITCH
 FOR USE IN HAZARDOUS LOCATIONS.
 CL. I, GROUPS B, C AND D
 CL. II, GROUPS E, F AND G

TYPE: H122P-5835
 RANGE: 10 TO 130 psi
 (0.7 to 9.0 bar)
 E/R: 15 AMP 125/250 VAC
 WETTED MATERIAL: BRASS
 SET POINT: 40 psi ±5 DN RISE
 DIFFERENTIAL: 3±2 psi
 UL LISTED PRESSURE SWITCH
 FOR USE IN HAZARDOUS LOCATIONS.
 CL. I, GROUPS B, C AND D
 CL. II, GROUPS E, F AND G

ADJUSTMENT:
TURN IN (CLOCKWISE)
TO INCREASE SEPARATION
(MODEL 5835 ONLY)

**NOTE: AGENCY CRITICAL DRAWING.
NO MODIFICATIONS ALLOWED WITHOUT
REFERENCE TO APPROVAL AGENCIES.**

ORIGINAL DATE		11-20-91		TITLE		H122P- 5355 & 5835 SPRINKLER	
DRWN		P. WEILER		CHKD		P. WEILER	
APPD		A. MINASSIAN		UNLESS OTHERWISE SPECIFIED DIMENSIONS ARE IN INCHES		UNITED ELECTRIC CONTROLS COMPANY WATERTOWN * MASSACHUSETTS	
DATE		5-24-04		SCALE		1:2	
DESCRIPTION		REVISIONS		REV. C		DF 001	
SYM		P		REVISED ENCL. ECH#4345.		2-17-12	
SYM		N		REDRAWN, UPDATED ENCL. & COVER. ECH#0795		5-24-04	
SYM		SJM		RCI		SJM	
SYM		LK		S.R.		LK	
SYM		APPD		APPD		APPD	