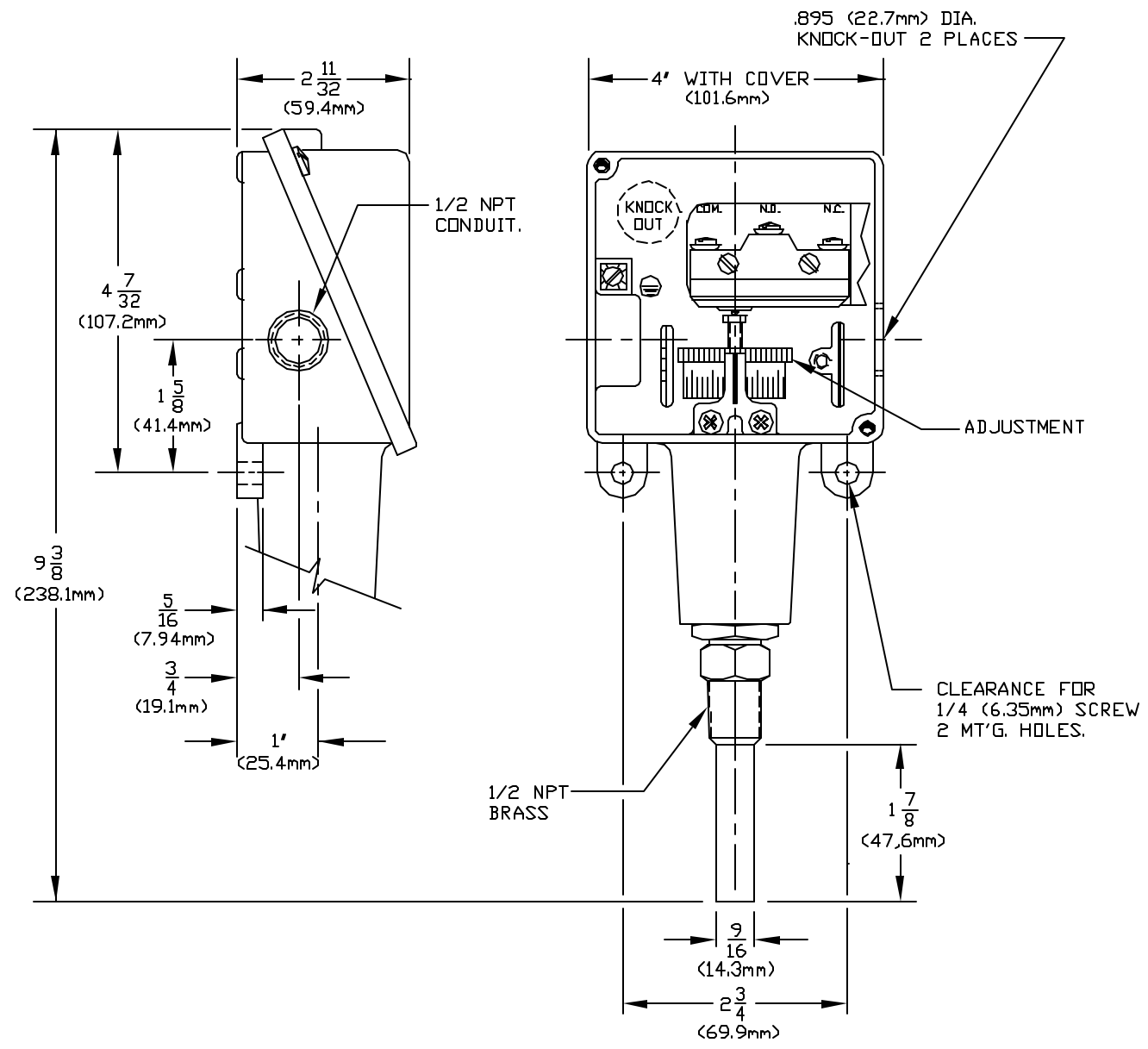


UL LISTED, CSA CERTIFIED.  
 CONFORMS TO NEMA 4X & IP65  
 REQUIREMENTS.

I & M SHEET IMT100.

121	200 TO 425	95 TO 215
120	0 TO 225	-15 TO 105
MODEL NO.	°F	°C
	ADJUSTABLE RANGE	



AC	DESCRIPTION	DATE	PLW	L.K.
SYM	REVISIONS			

ORIGINAL DATE 12-6-85  
 DRWN A. EBALD  
 CHKO PETER WEILER  
 APPD A. MINASSIAN  
 UNLESS OTHERWISE SPECIFIED  
 DIMENSIONS ARE IN INCHES  
 TOLERANCES ON FRACTIONS ±1/64  
 2 PLACE DEC 3 PLACE DEC ANGLES  
 ±.010 ±.005 ±1/2°  
 DO NOT SCALE THIS DRAWING

TITLE  
 B100  
 SCALE HALF

DF1  
  
 UNITED ELECTRIC  
 CONTROLS COMPANY  
 WATERTOWN \* MASSACHUSETTS  
 DWG NO  
 A-12711