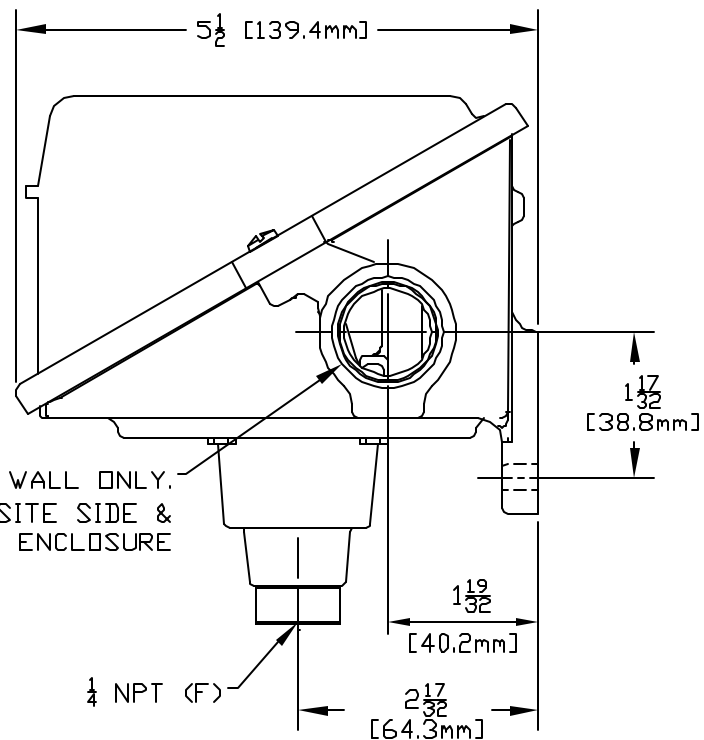
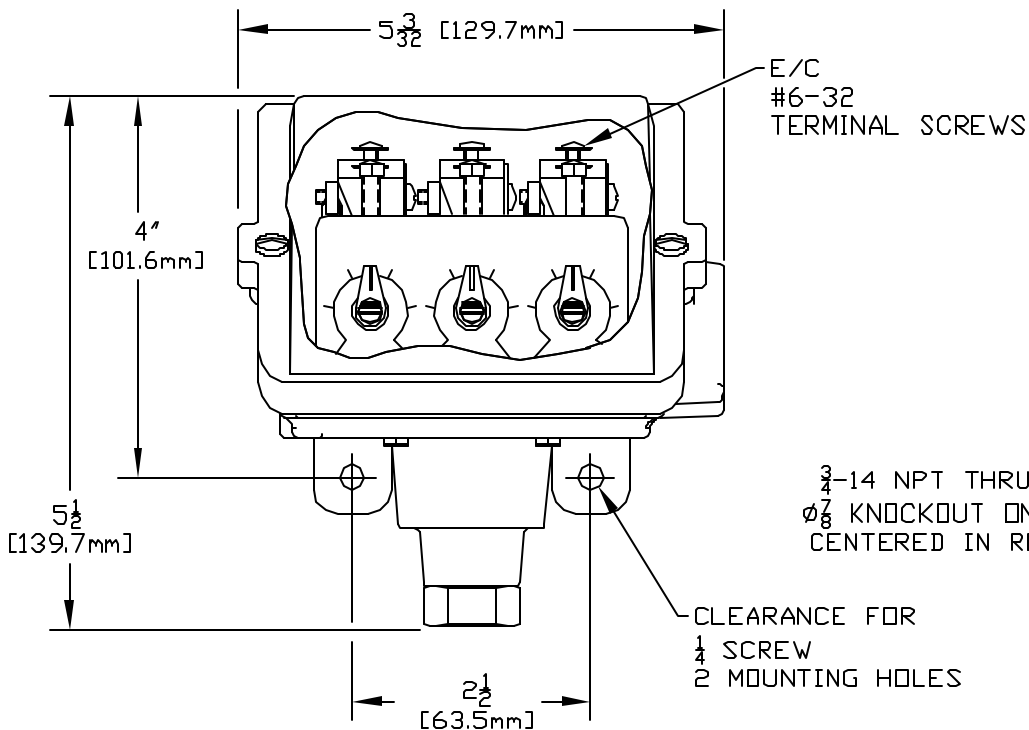


UL RECOGNIZED COMPONENT,
 CSA CERTIFIED, NEMA 4.
 I & M SHEET IMP400.




376	0 to 500	0 to 34.5
361	0 to 300	0 to 20.7
358	0 to 200	0 to 13.8
MODEL NO.	psi	bar
ADJUSTABLE RANGE		
LOW END OF RANGE ON FALL HIGH END OF RANGE ON RISE		

S	REDRAWN, UPDATED ENCLOSURE, ECN#E0821	6-28-04	S.R.	HN
SYM	DESCRIPTION	DATE	DWN	APPD
REVISIONS				

ORIGINAL DATE	12-5-86
DRWN	A. EBALD
CHKD	A.J. FLECCA
APPD	A. MINASSIAN
UNLESS OTHERWISE SPECIFIED DIMENSIONS ARE IN INCHES	

TITLE	H403 358, 361 & 376
SCALE	1:2

DF001D



UNITED ELECTRIC
 CONTROLS COMPANY
 WATERTOWN * MASSACHUSETTS

DWG NO
 A-12360

DO NOT SCALE THIS DRAWING