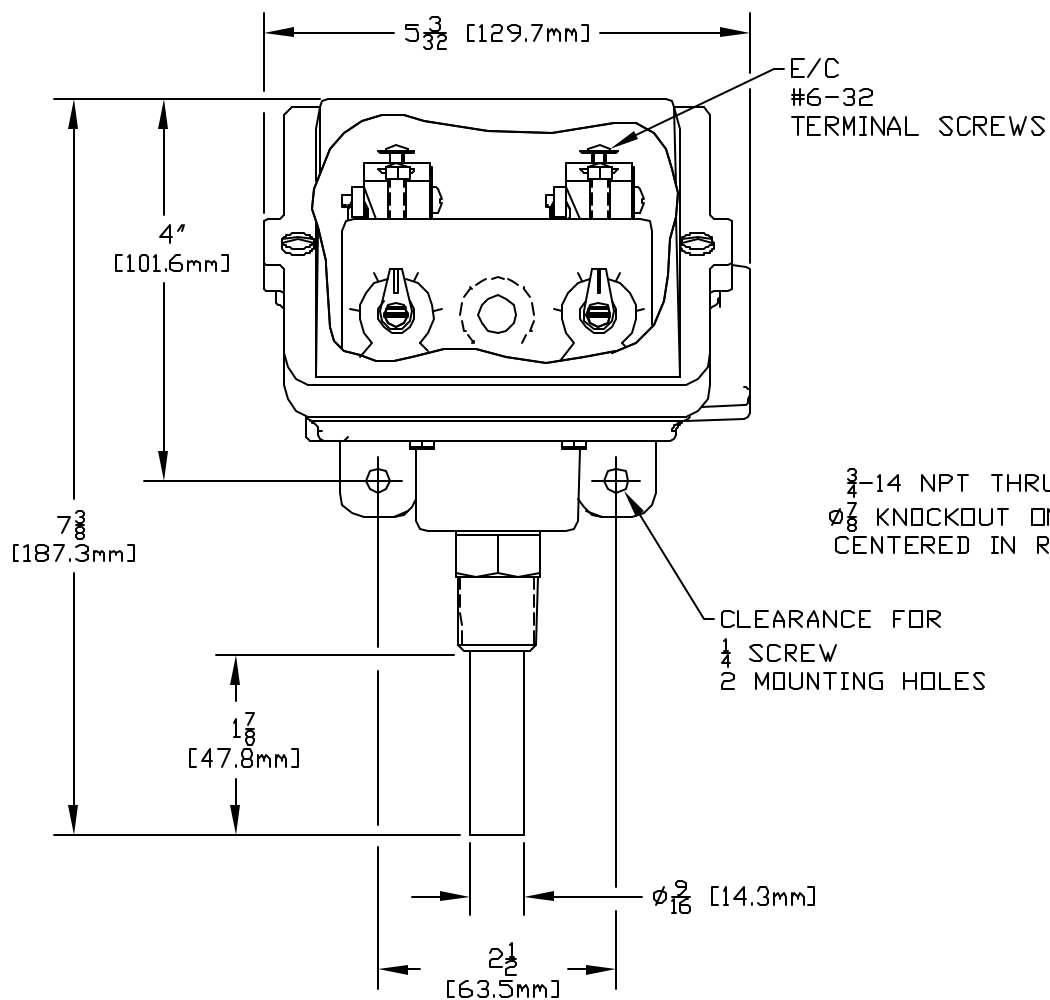
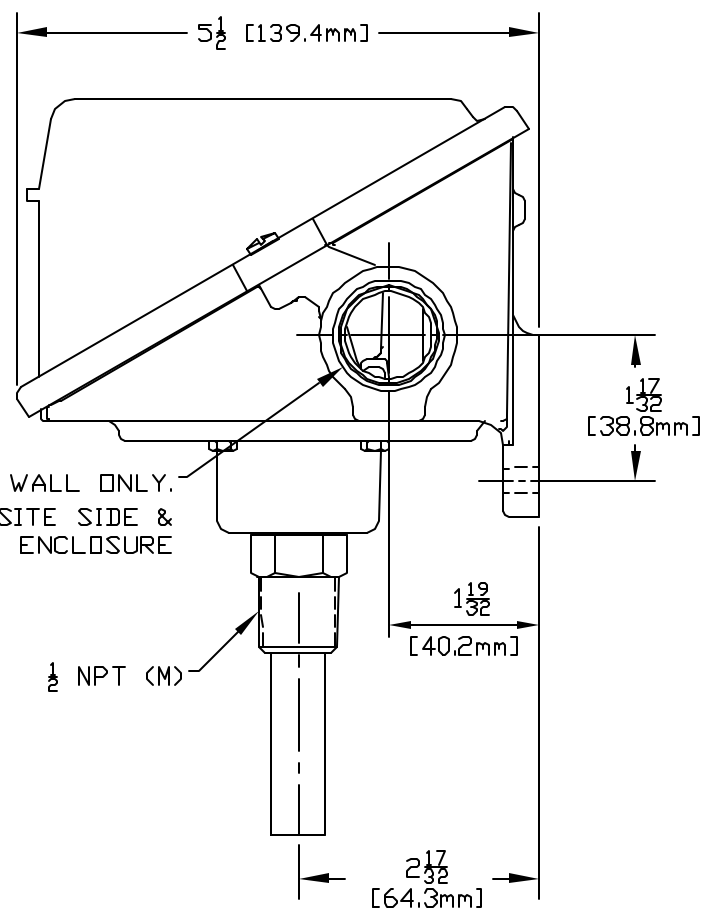


UL LISTED, CSA CERTIFIED, NEMA 4.  
I & M SHEET IMT400.  
FM APPROVED.



3/4-14 NPT THRU NEAR WALL ONLY.  
∅ 7/8 KNOCKOUT ON OPPOSITE SIDE & CENTERED IN REAR OF ENCLOSURE



121	200 TO 425	95 TO 215
120	0 TO 225	-15 TO 105
MODEL NO.	°F	°C
ADJUSTABLE RANGE		

U	REDRAWN, UPDATED ENCLOSURE. ECN#E0821	6-28-04	S.R.	HN
SYM	DESCRIPTION	DATE	DWN	APPD
REVISIONS				

ORIGINAL DATE	11-7-86
DRWN	A. EBALO
CHKD	A.J. FLECCA
APPD	A. MINASSIAN
UNLESS OTHERWISE SPECIFIED DIMENSIONS ARE IN INCHES	

TITLE  
B402  
120 & 121

DF001D  
**UE**  
UNITED ELECTRIC  
CONTROLS COMPANY  
WATERTOWN \* MASSACHUSETTS

DWG NO  
A-12354

DO NOT SCALE THIS DRAWING

SCALE 1:2