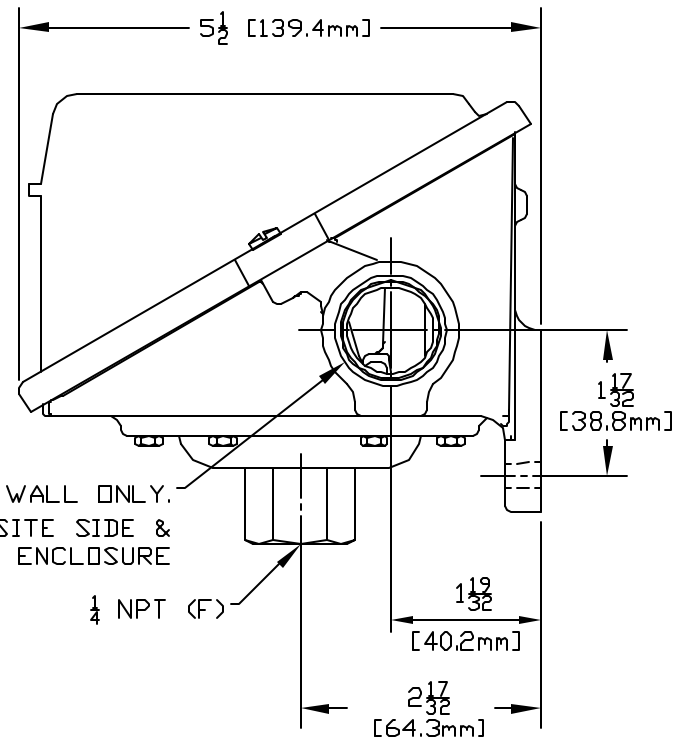
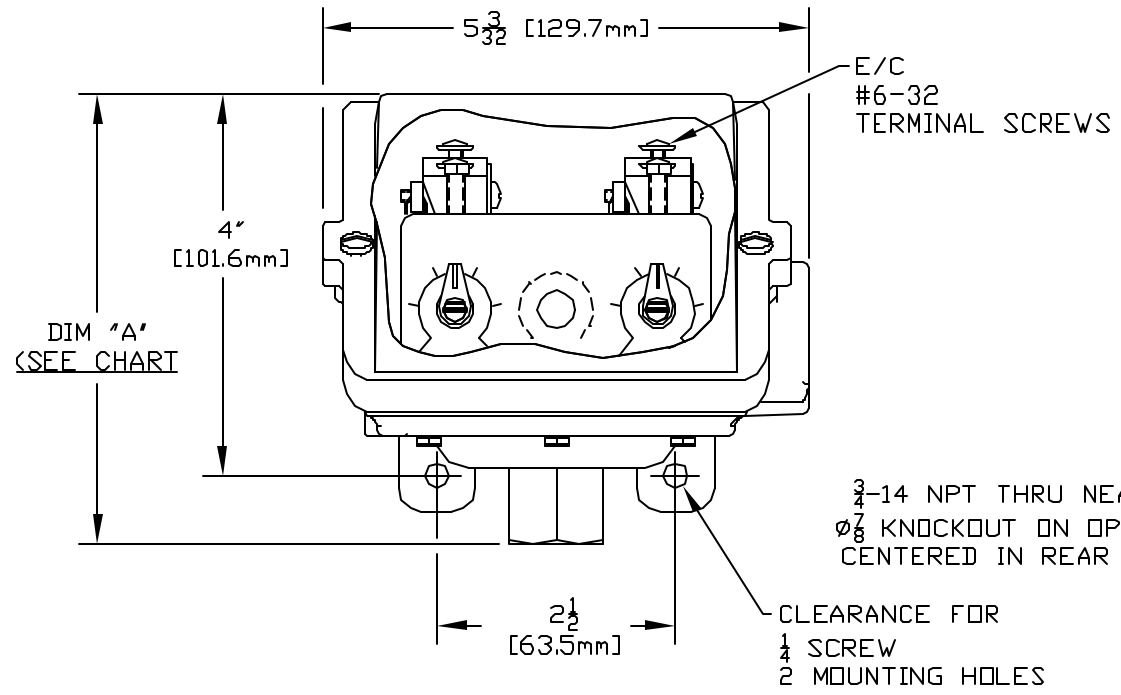


UL LISTED, CSA CERTIFIED, NEMA 4.  
I & M SHEET IMP400.



553, 554 & 555	4 9/16 [115.9mm]
550 & 552	5 1/32 [127.7mm]
MODEL NOS.	DIM 'A'


555	0 to 100	0 to 6.9
554	0 to 30	0 to 2.1
553	0 to 20	0 to 1379.0 mbar
552	30"HgVac to 20 psi	-1.0 bar to 1379.0 mbar
550	30"HgVac to 0 psi	-1.0 to 0
MODEL NO.	psi	bar
ADJUSTABLE RANGE		
LOW END OF RANGE ON FALL		
HIGH END OF RANGE ON RISE		

R	REDRAWN, UPDATED ENCLOSURE. ECN#E0821	6-28-04	S.R.	HN
SYM	DESCRIPTION	DATE	DWN	APPD
REVISIONS				

ORIGINAL DATE	3-11-87
DRWN	A. EBALD
CHKD	A.J. FLECCA
APPD	A. MINASSIAN
UNLESS OTHERWISE SPECIFIED DIMENSIONS ARE IN INCHES	
DO NOT SCALE THIS DRAWING	

TITLE	H402- 550 & 552-555
SCALE	1:2

DF001D



UNITED ELECTRIC  
CONTROLS COMPANY  
WATERTOWN \* MASSACHUSETTS

DWG NO  
A-12350