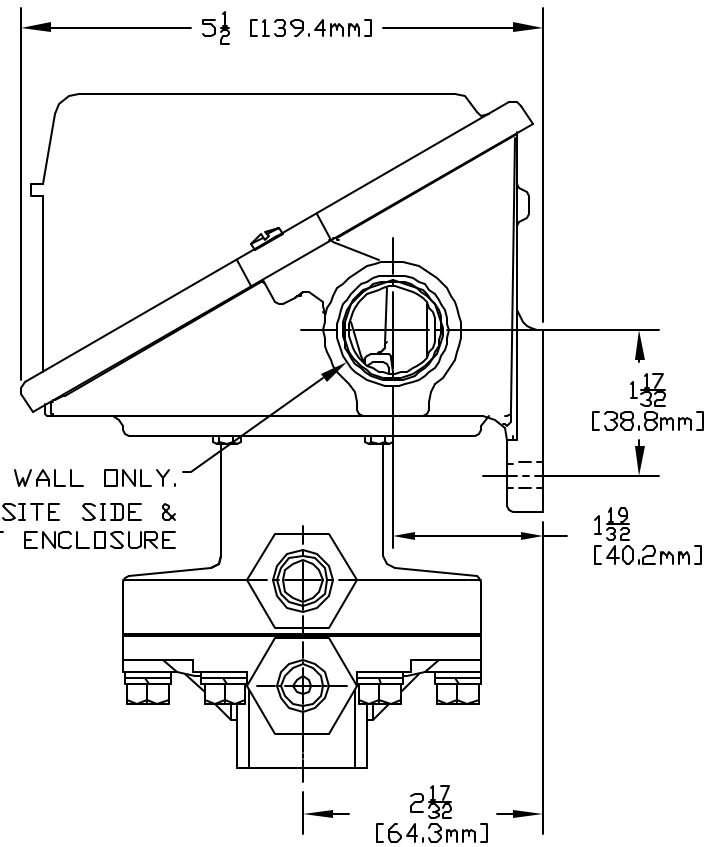
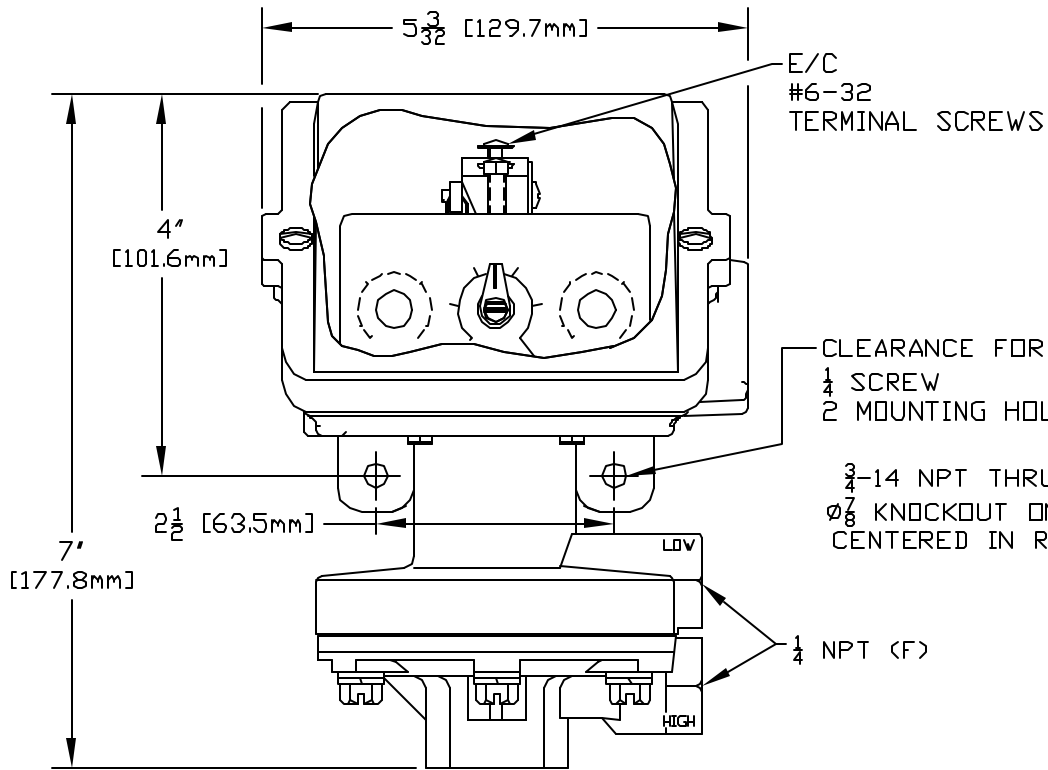


UL LISTED, CSA CERTIFIED, NEMA 4.
I & M SHEET IMP400.


A-12341



559	10 to 100	0.7 to 6.9
457	3 to 30	0.2 to 2.1
456	2 to 20	137.9 to 1379.0 mbar
455	5 to 80" wcd	12.4 to 199.1 mbar
MODEL NO.	psid	bar
	ADJUSTABLE RANGE	
LOW END OF RANGE ON FALL		
HIGH END OF RANGE ON RISE		

ORIGINAL DATE 12-1-86
 DRWN A. EBALD
 CHKD P. WEILER
 APPD A. MINASSIAN
 UNLESS OTHERWISE SPECIFIED
 DIMENSIONS ARE IN INCHES

TITLE
 H400K-
 455 TO 457
 & 559

DF001D

 UNITED ELECTRIC
 CONTROLS COMPANY
 WATERTOWN * MASSACHUSETTS

S	REDRAWN, UPDATED ENCLOSURE. ECN#E0821	6-28-04	S.R.	HN
SYM	DESCRIPTION	DATE	DWN	APPD
REVISIONS				

DO NOT SCALE THIS DRAWING

SCALE 1:2

DWG NO
 A-12341