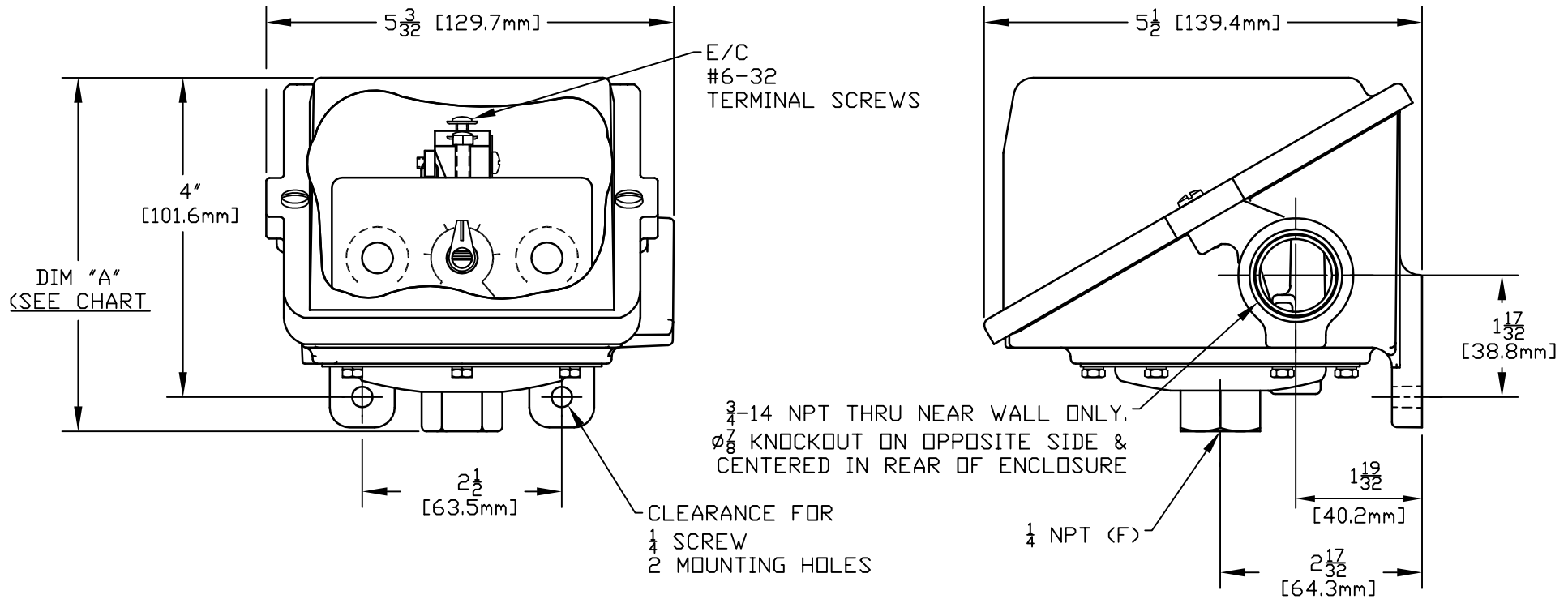


UL LISTED, CSA CERTIFIED, NEMA 4.  
I & M SHEET IMP400.

A-12337



453 & 454	4 $\frac{9}{32}$ [108.7mm]
448, 450, 452	5 $\frac{1}{32}$ [127.7mm]
MODEL NOS.	DIM 'A'

454	0 to 30	0 to 2.1
453	0 to 20	0 to 1379.0 mbar
452	30" HgVac to 20 psi	-1.0 bar to 1379.0 mbar
450	30" HgVac to 0 psi	-1.0 to 0
448	80" wcVac to 0 psi	-199.1 to 0 mbar
MODEL NO.	psi	bar
ADJUSTABLE RANGE		
LOW END OF RANGE ON FALL		
HIGH END OF RANGE ON RISE		

AGENCY CRITICAL DOCUMENT,  
NO REVISIONS ALLOWED WITHOUT  
UEC ENGINEERING APPROVAL.

SYM	DESCRIPTION	DATE	DWN	APPD
Y	MODEL NO. 448: 80"wcVac WAS 80"HgVac. ECN# E4379	3/5/12	MJF	RAM
X	UPDATED ENCLOSURE: WAS 60400-20. UPDATED COVER. ECN# E3920	3-18-11	RCI	RAM
W	REDRAWN. UPDATED ENCLOSURE. ECN#E0821	6-28-04	S.R.	HN
REVISIONS				

ORIGINAL DATE	3-11-87
DRWN	A. EBALD
CHKD	N. MacKAY JR.
APPD	A. MINASSIAN

UNLESS OTHERWISE SPECIFIED  
DIMENSIONS ARE IN INCHES

DO NOT SCALE THIS DRAWING

TITLE	H400- 448, 450 & 452-454
SCALE	1:2

DF001D
UNITED ELECTRIC CONTROLS COMPANY WATERTOWN * MASSACHUSETTS
DWG NO A-12337