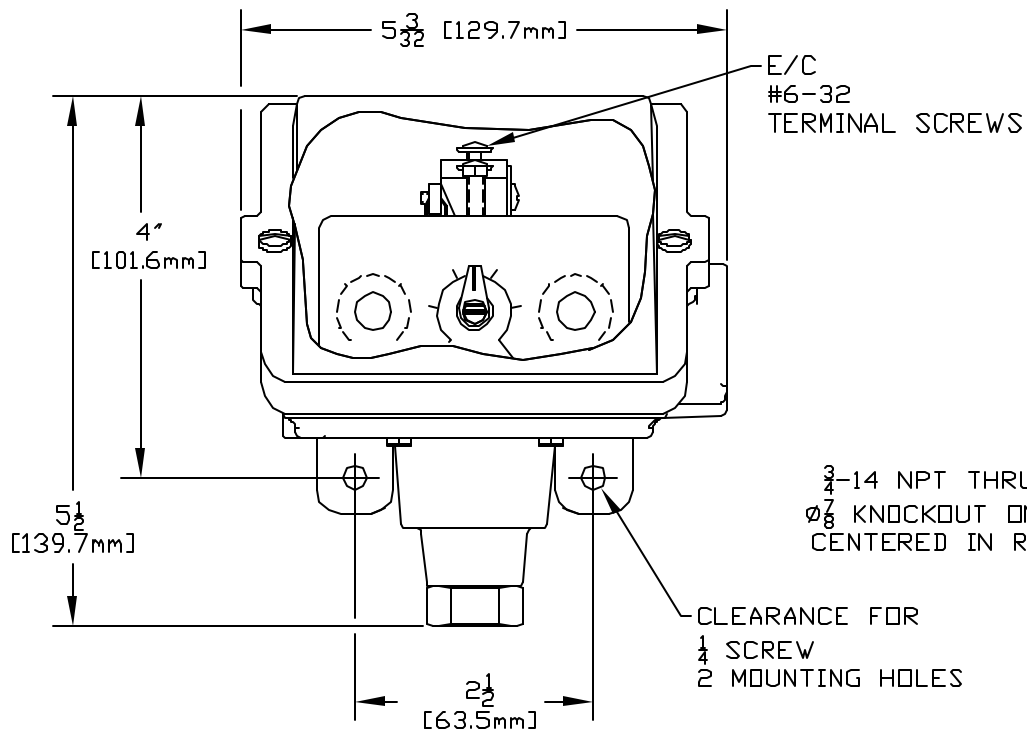
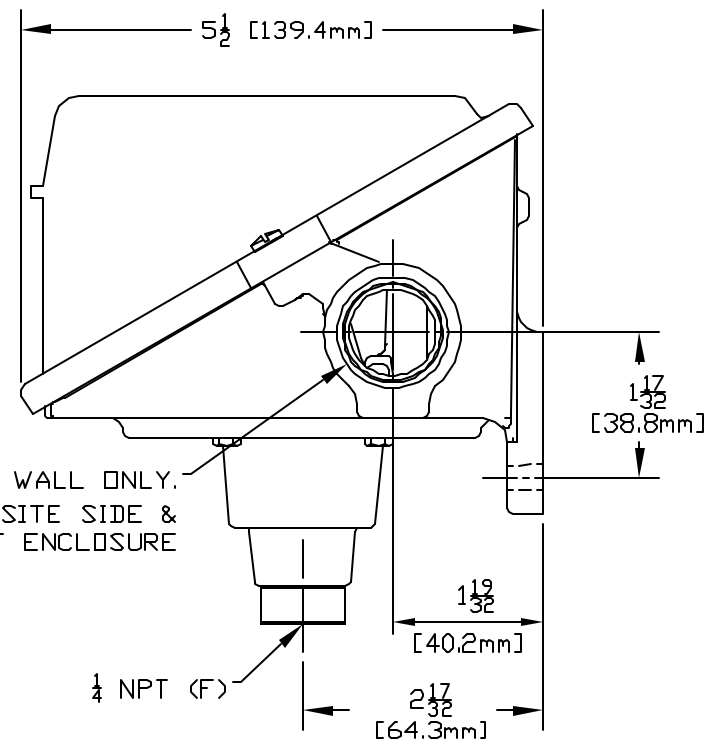


UL LISTED, CSA CERTIFIED, NEMA 4.  
I & M SHEET IMP400.



3/4-14 NPT THRU NEAR WALL ONLY.  
Ø 7/8 KNOCKOUT ON OPPOSITE SIDE &  
CENTERED IN REAR OF ENCLOSURE




376	0 to 500	0 to 34.5
361	0 to 300	0 to 20.7
358	0 to 200	0 to 13.8
MODEL NO.	psi	bar
ADJUSTABLE RANGE		
LOW END OF RANGE ON FALL HIGH END OF RANGE ON RISE		

N	REDRAWN, UPDATED ENCLOSURE. ECN#E0821	6-28-04	S.R.	HN
SYM	DESCRIPTION	DATE	DWN	APPD
REVISIONS				

ORIGINAL DATE	12-2-86
DRWN	A.EBALD
CHKD	P. WEILER
APPD	A. MINASSIAN
UNLESS OTHERWISE SPECIFIED DIMENSIONS ARE IN INCHES	

TITLE	H400 358, 361 & 376
SCALE	1:2

DF001D



UNITED ELECTRIC  
CONTROLS COMPANY  
WATERTOWN \* MASSACHUSETTS

DWG NO  
A-12336

DO NOT SCALE THIS DRAWING