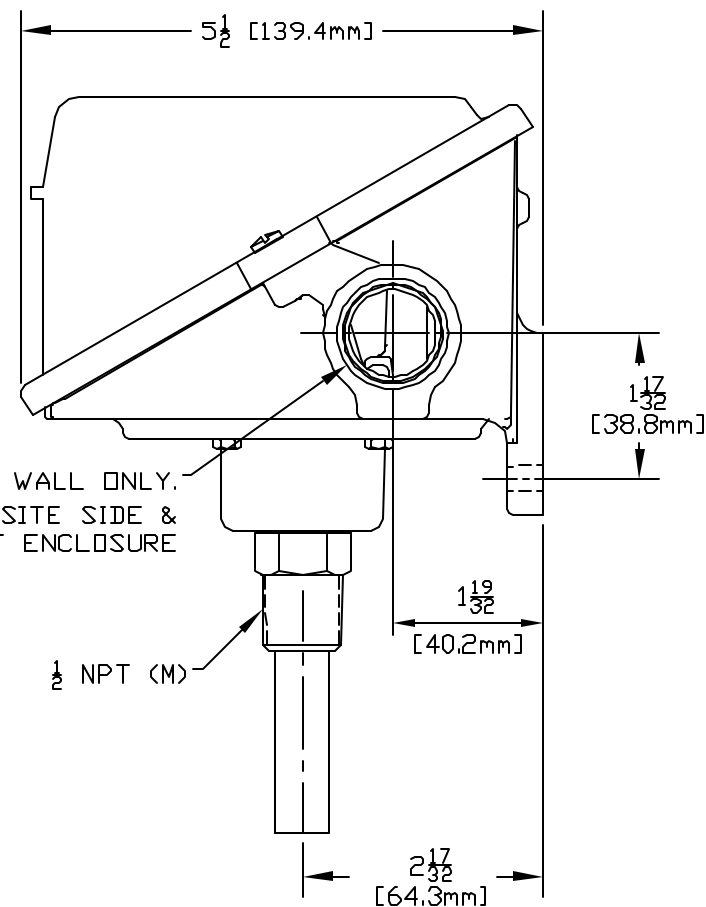
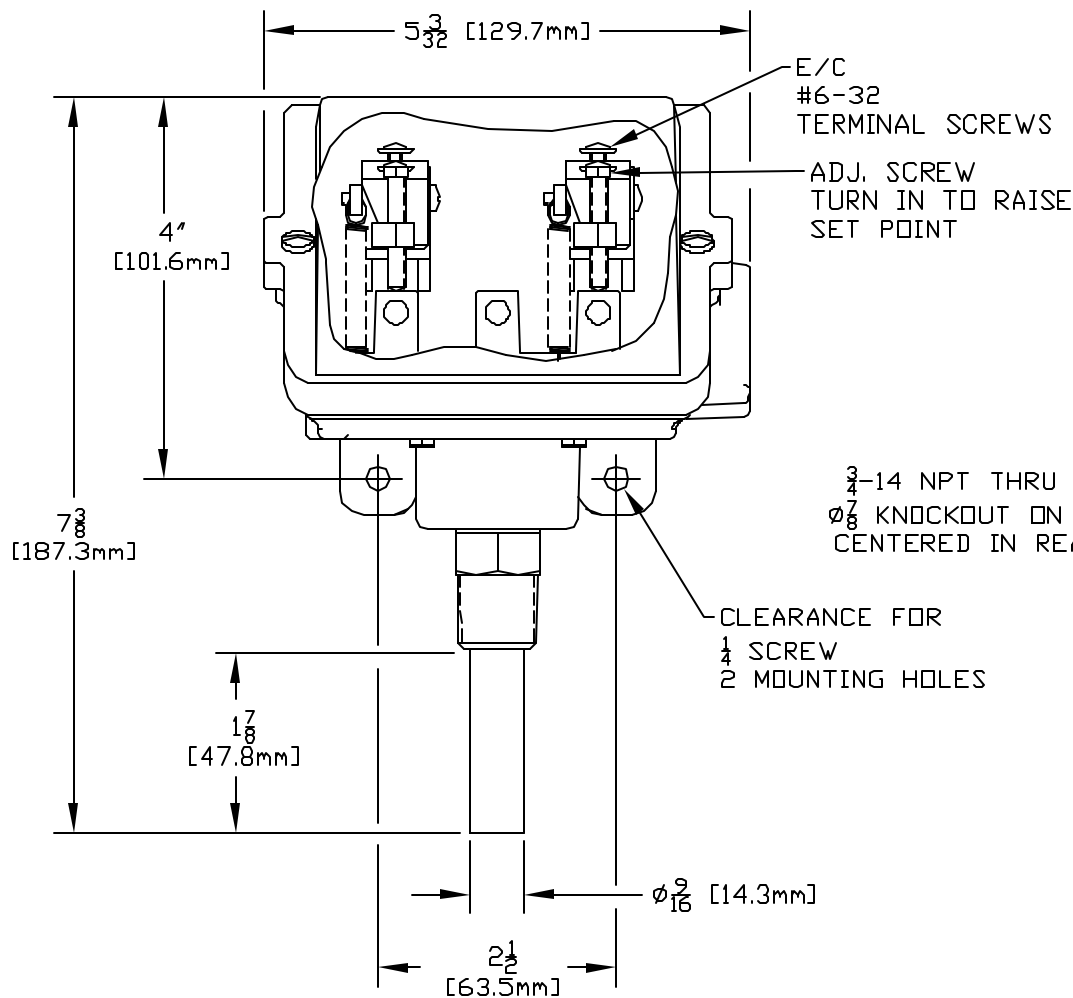


UL LISTED, CSA CERTIFIED, NEMA 4.
I & M SHEET IMT400.
FM APPROVED.



121	200 TO 425	95 TO 215
120	0 TO 225	-15 TO 105
MODEL NO.	°F	°C
	ADJUSTABLE RANGE	

U	REDRAWN, UPDATED ENCLOSURE. ECN#E0821	6-28-04	S.R.	HN
SYM	DESCRIPTION	DATE	DWN	APPD
	REVISIONS			

ORIGINAL DATE	11-7-86
DRWN	P. WEILER
CHKD	N MacKAY Jr.
APPD	A. MINASSIAN
UNLESS OTHERWISE SPECIFIED DIMENSIONS ARE IN INCHES	

TITLE
C402
120 & 121

DF001D

UNITED ELECTRIC
CONTROLS COMPANY
WATERTOWN * MASSACHUSETTS

DWG NO
A-12318

DO NOT SCALE THIS DRAWING

SCALE 1:2