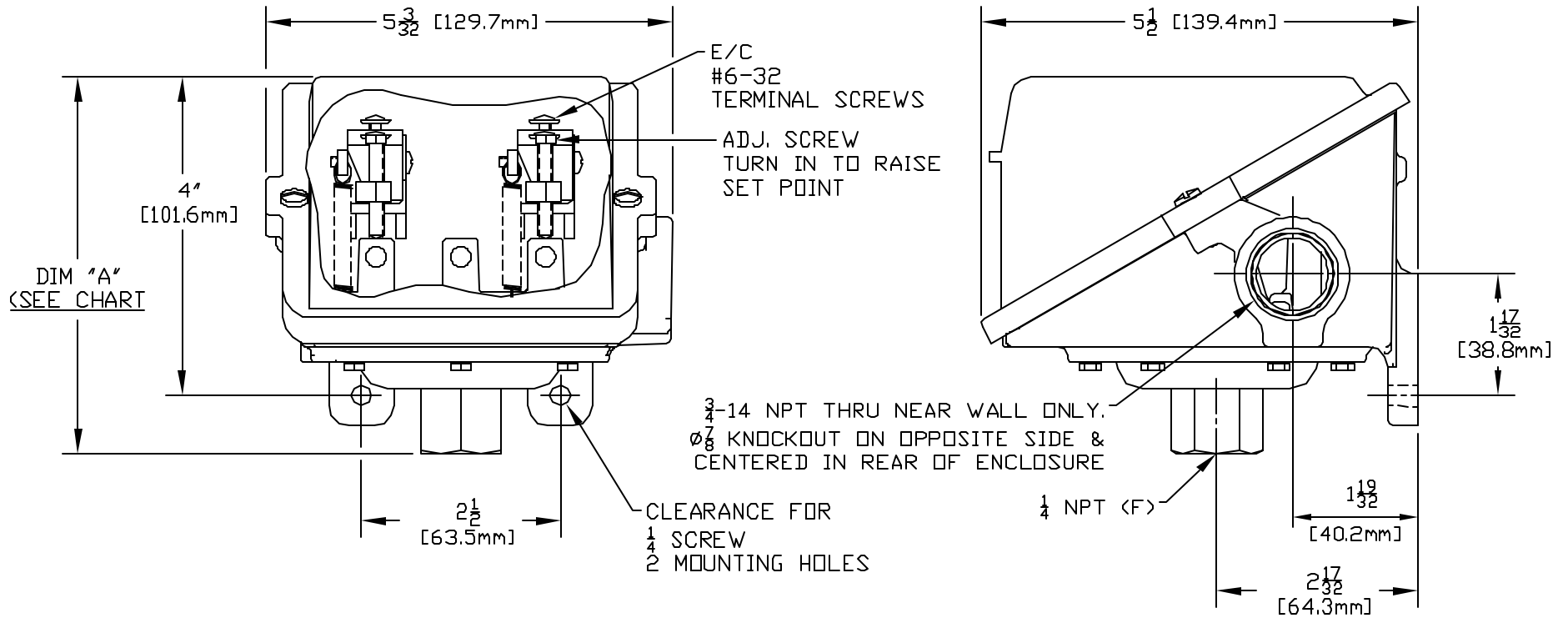


UL LISTED, CSA CERTIFIED, NEMA 4.
I & M SHEET IMP400.



551, 553, 554 & 555	4 9/16 [115.9mm]
550 & 552 (Vac)	5 1/32 [127.7mm]
MODEL NOS.	DIM 'A'

555	0 to 100	0 to 6.9
554	0 to 30	0 to 2.1
553	0 to 20	0 to 1379.0 mbar
552	30"HgVac to 20 psi	-1.0 bar to 1379.0 mbar
551	0 to 80"wc	0 to 199.1 mbar
550	30"HgVac to 0 psi	-1.0 to 0
MODEL NO.	psi	bar
ADJUSTABLE RANGE		
LOW END OF RANGE ON FALL		
HIGH END OF RANGE ON RISE		

P	REDRAWN, UPDATED ENCLOSURE. ECN#E0821	6-28-04	S.R.	HN
SYM	DESCRIPTION	DATE	DWN	APPD
REVISIONS				

ORIGINAL DATE	11-5-87
DRWN	J.CARTER
CHKD	N. MacKAY Jr.
APPD	A. MINASSIAN
UNLESS OTHERWISE SPECIFIED DIMENSIONS ARE IN INCHES	
DO NOT SCALE THIS DRAWING	

TITLE	J402- 550 TO 555
SCALE	1:2

DF001D

UNITED ELECTRIC
CONTROLS COMPANY
WATERTOWN * MASSACHUSETTS

DWG NO
A-12314