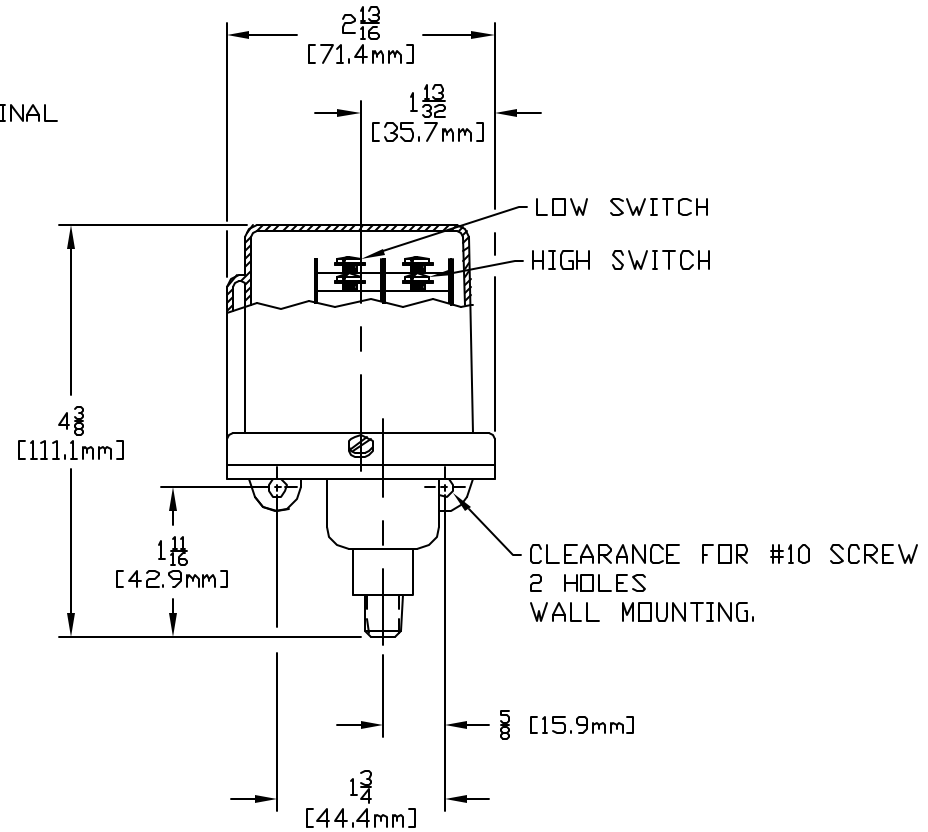
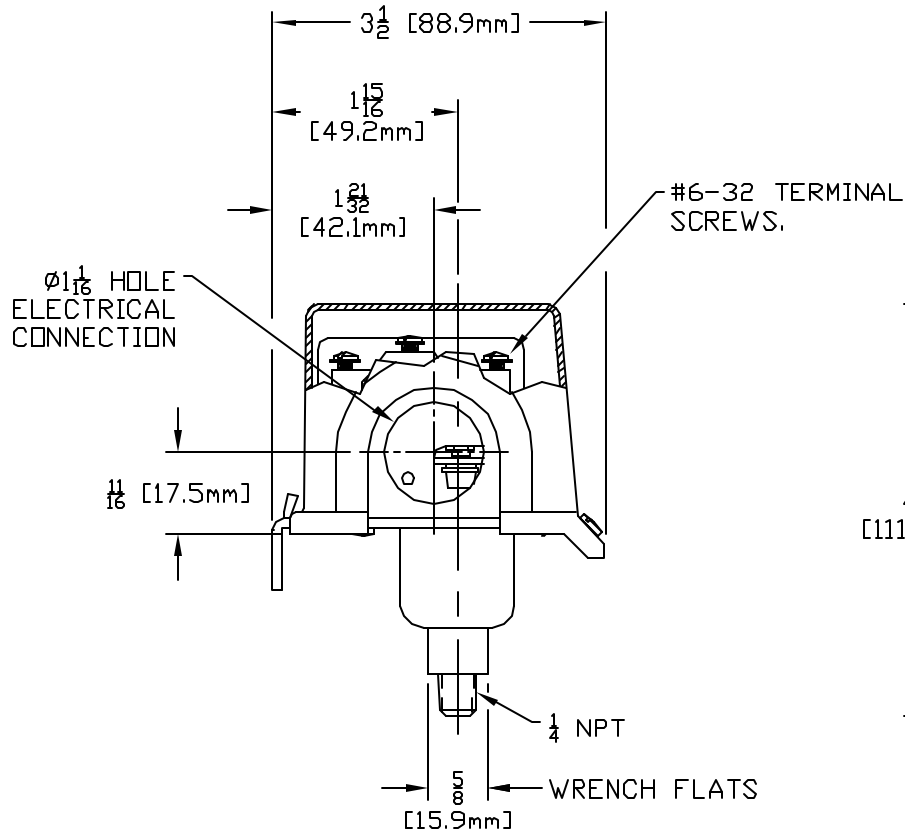


NOTES:

1. REMOVE PROTECTIVE COVER & TURN ADJUSTING SCREWS TO CHANGE PRESSURE SETTINGS.




SYM	DESCRIPTION	DATE	DWN	APPD
M	$\phi 1-1/16$ HOLE FOR ELECTRICAL CONNECT. WAS $\phi 7/8$. ECN#E0763	4-27-04	S.R.	LK
L	REDRAWN. NO CHANGE. ECN#C6365	5-14-97	P.W.	L.K.
REVISIONS				

ORIGINAL DATE	6-30-81
DRWN	N. MacKAY JR.
CHKD	A.J.MUSTO JR.
APPD	E.A.DESROSIER

UNLESS OTHERWISE SPECIFIED
 DIMENSIONS ARE IN INCHES
 TOLERANCES ON FRACTIONS $\pm 1/64$
 2 PLACE DEC 3 PLACE DEC ANGLES
 ± 0.010 ± 0.005 $\pm 1/2^\circ$
 DO NOT SCALE THIS DRAWING

TITLE
 J54A
 24 THRU 28
 (PRESSURE)

SCALE HALF

DF001D

 UNITED ELECTRIC
 CONTROLS COMPANY
 WATERTOWN * MASSACHUSETTS

DWG NO
 A-12167