

A-12154

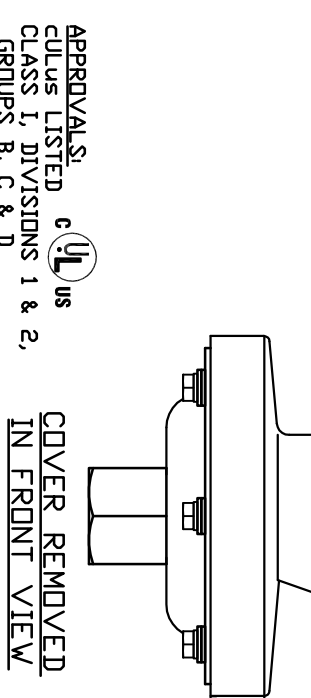
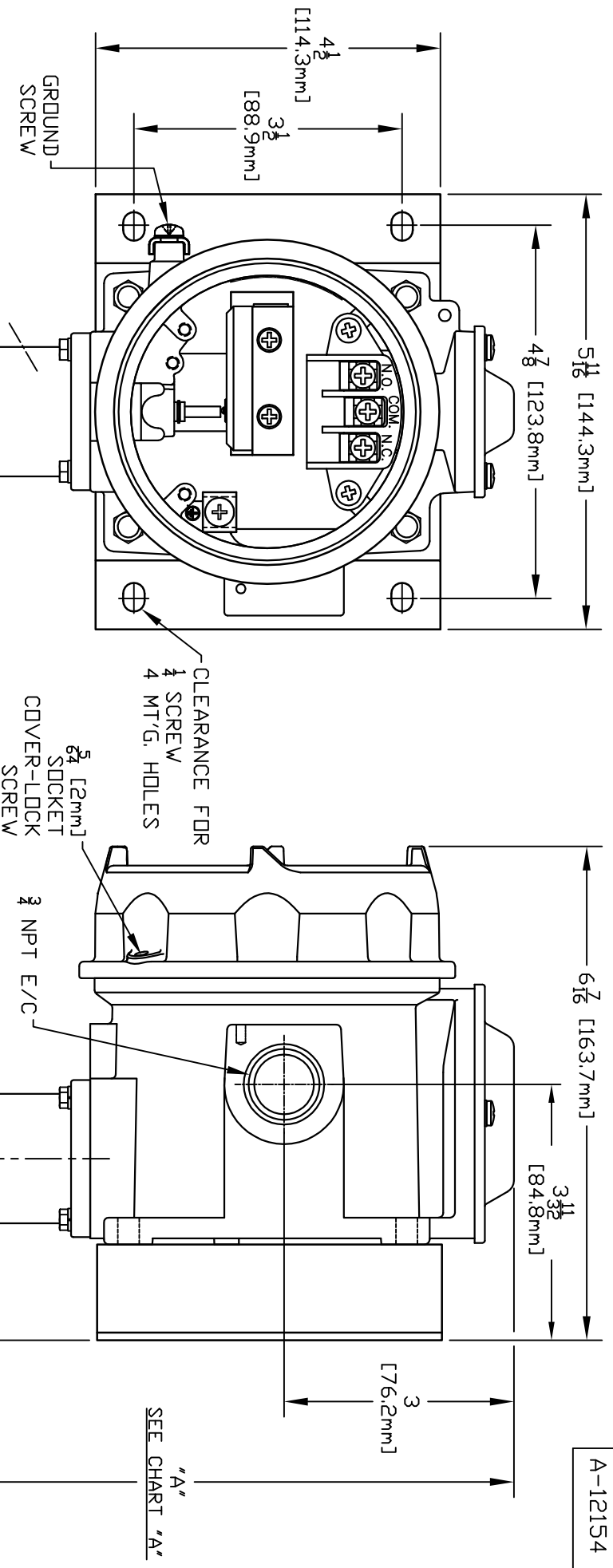
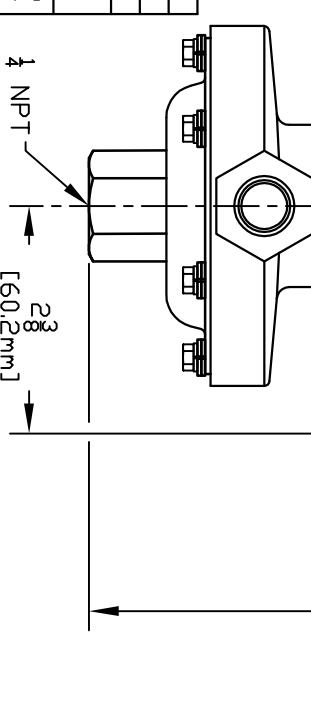


CHART 'B'

555	0 to 100	0 to 6.9
554	0 to 30	0 to 2.1
553	0 to 20	0 to 1379.0 mbar
552	30"HgVac to 20 psi	-1.0 bar to 1379.0 mbar
550	30"HgVac to 0 psi	-1.0 to 0 bar



APPROVALS: **UL** **us**
 CULUS LISTED
 CLASS I, DIVISIONS 1 & 2,
 GROUPS B, C & D
 CLASS II, DIVISIONS 1 & 2,
 GROUPS E, F & G
 CLASS III
 -50°C ≤ Tamb, ≤ +71°C
 CLASS I, ZONE 1, GROUP IIB + H₂ T6
 ENCLOSURE TYPE 4X, 7, 9

ADJUSTABLE RANGE

MODEL	psi	bar
550	30"HgVac to 0 psi	-1.0 to 0 bar
552	30"HgVac to 20 psi	-1.0 bar to 1379.0 mbar
553	0 to 20	0 to 1379.0 mbar
554	0 to 30	0 to 2.1
555	0 to 100	0 to 6.9

CHART 'A'

553 - 555	9 5/16 [236.5mm]
550 & 552	9 3/4 [247.7mm]

CE 0539 ATEX APPROVED
 II 2 G/D EEx d IIC T6
 -40°C ≤ Tamb, ≤ +71°C
 IP66

REVISIONS

SYM	DESCRIPTION	DATE	DVN	APPD
S	UPDATED ENCLOSURE.	2-17-12	RCI	SJM
R	REPLACED GENELEC APPROVAL WITH ATEX APPROVAL.	6-17-03	S.R.	LK
P	CHANGED kPa TO bar	10/7/02	AB	HN
N	ADDED GENELEC & CE APPROVALS.	8-27-02	S.R.	LK
M	UPDATED ENCLOSURE & COVER.	2/27/02	S.R.	LK
L	REVISED PER REDESIGN.	12-20-96	S.R.	JJM

UNITED ELECTRIC CONTROLS COMPANY
 WATERBURY * MASSACHUSETTS

DO NOT SCALE THIS DRAWING
 SCALE 1:2
 TITLE H121-550 & 552-555
 DFG011D
 DWG NO A-12154