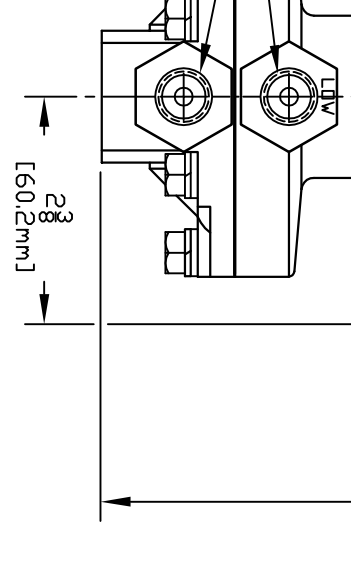


559	10 to 100	0.7 to 6.9
457	3 to 30	0.2 to 2.1
456	0 to 20	137.9 to 1379.0 mbar
MODEL	psi	bar
ND.	ADJUSTABLE RANGE	
	LOW END OF RANGE ON FALL	
	HIGH END OF RANGE ON RISE	



APPROVALS: **cULus**
 CULUS LISTED
 CLASS I, DIVISIONS 1 & 2,
 GROUPS B, C & D
 CLASS II, DIVISIONS 1 & 2,
 GROUPS E, F & G
 CLASS III
 -50°C ≤ Tamb. ≤ +71°C
 CLASS I, ZONE 1, GROUP IIB + H₂ T6
 ENCLOSURE TYPE 4X, 7, 9

CE 0539 ATEX APPROVED
 II 2 G/D EEx d IIC T6
 -40°C ≤ Tamb. ≤ +71°C
 IP66

CE COMPLIANT TO
 APPLICABLE DIRECTIVES)

I & M SHEET IMP120

SYM	DESCRIPTION	DATE	DWN	APPD
S	UPDATED ENCLOSURE. ECN#E4345.	2-17-12	RCI	SJM
R	REPLACED CENELEC APPROVAL WITH ATEX APPROVAL. ECN#E0368	6-17-03	S.R.	LK
P	CHANGED I.P.A. TO bar. ECN#E0053	10/7/02	AB	HN
N	ADDED CENELEC & CE APPROVALS. ECN#E0009	8-27-02	S.R.	LK
M	UPDATED ENCLOSURE & COVER. ECN#C9734	2/27/02	S.R.	LK
L	REVISED PER REDESIGN. ECN#C6167	1-21-97	S.R.	JJM

ORIGINAL DATE	9-17-86	TITLE	H121K-456, 457 & 559
DRWN	PETER WEILLER	CHKD	A.J. FLECCA
APPD	A. MINASSIAN	UNLESS OTHERWISE SPECIFIED DIMENSIONS ARE IN INCHES	
DO NOT SCALE THIS DRAWING		SCALE	1:2
DWG NO	A-12124	REV. C	DF001

UE
 UNITED ELECTRIC
 CONTROLS COMPANY
 WATERTOWN * MASSACHUSETTS