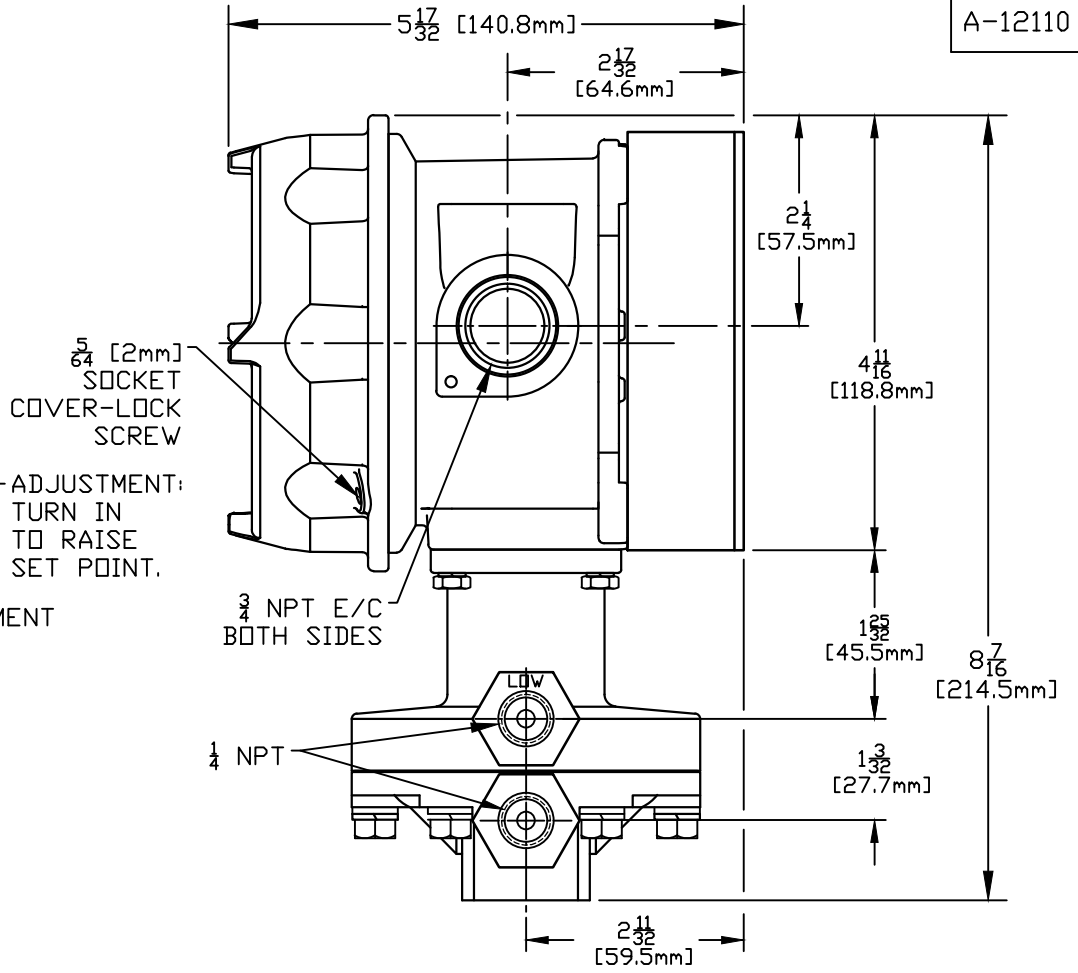
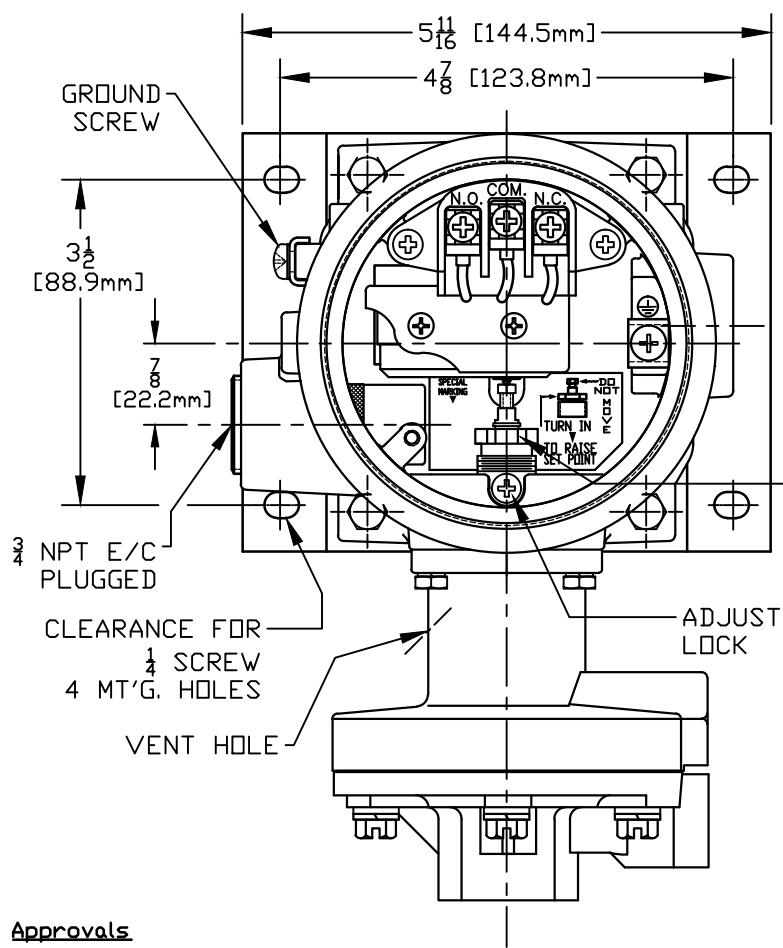


A-12110



Approvals

cULus
 Class I, Groups A, B, C and D
 Class II, Groups E, F and G
 Class III
 Class I, Zone I, Group IIB + H2
 Class I, Division 2, Groups A, B, C and D
 Class II, Division 2, Groups F and G
 Class III

ATEX
 Ⓜ II 2 G Ex d IIC T6 Gb
 Ⓜ II 2 D Ex tb IIIC T85°C Db IP66
 Ⓜ II 1 G Ex Ia IIC T6 Ga

IECEX
 Ex d IIC T6 Gb
 Ex tb IIIC T85°C Db IP66

559	10 TO 100	0.7 TO 6.9
457	3 TO 30	0.2 TO 2.1
456	2 TO 20	137.9 TO 1379 mbar
455	5 TO 80*W.C.D.	12.4 TO 199.1 mbar
MODEL NO.	psi	bar
	ADJUSTABLE RANGE	
	LOW END OF RANGE ON FALL	
	HIGH END OF RANGE ON RISE	

ORIGINAL DATE	9-17-86
DRWN	P. WEILER
CHKD	A.J. FLECCA
APPD	A. MINASSIAN
UNLESS OTHERWISE SPECIFIED DIMENSIONS ARE IN INCHES	

TITLE
 J120K
 455 TO 457
 & 559

DF001
 REV. B

 UNITED ELECTRIC
 CONTROLS COMPANY
 WATERTOWN * MASSACHUSETTS

W	E5109	REDRAWN, UPDATED APPROVALS.	4/10/14	S.R.	EM
REV	ECN	DESCRIPTION	DATE	DWN	APPD
REVISIONS					

DO NOT SCALE THIS DRAWING

SCALE 1:2

DWG NO
 A-12110