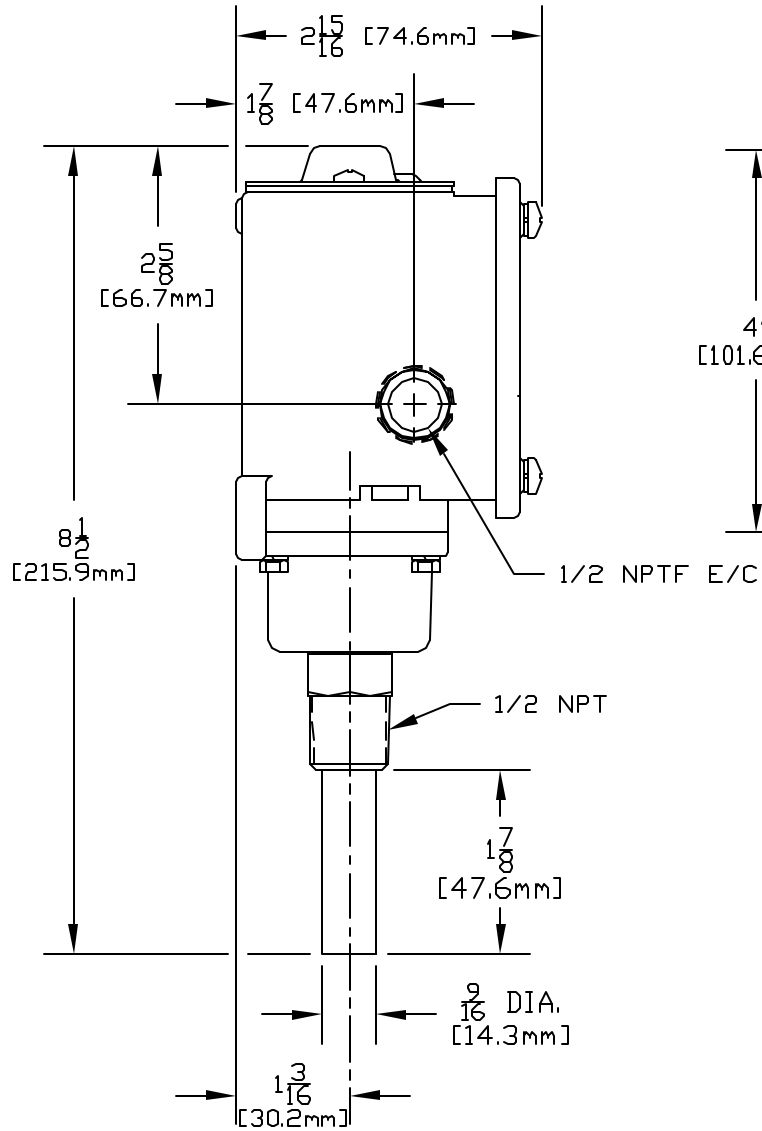
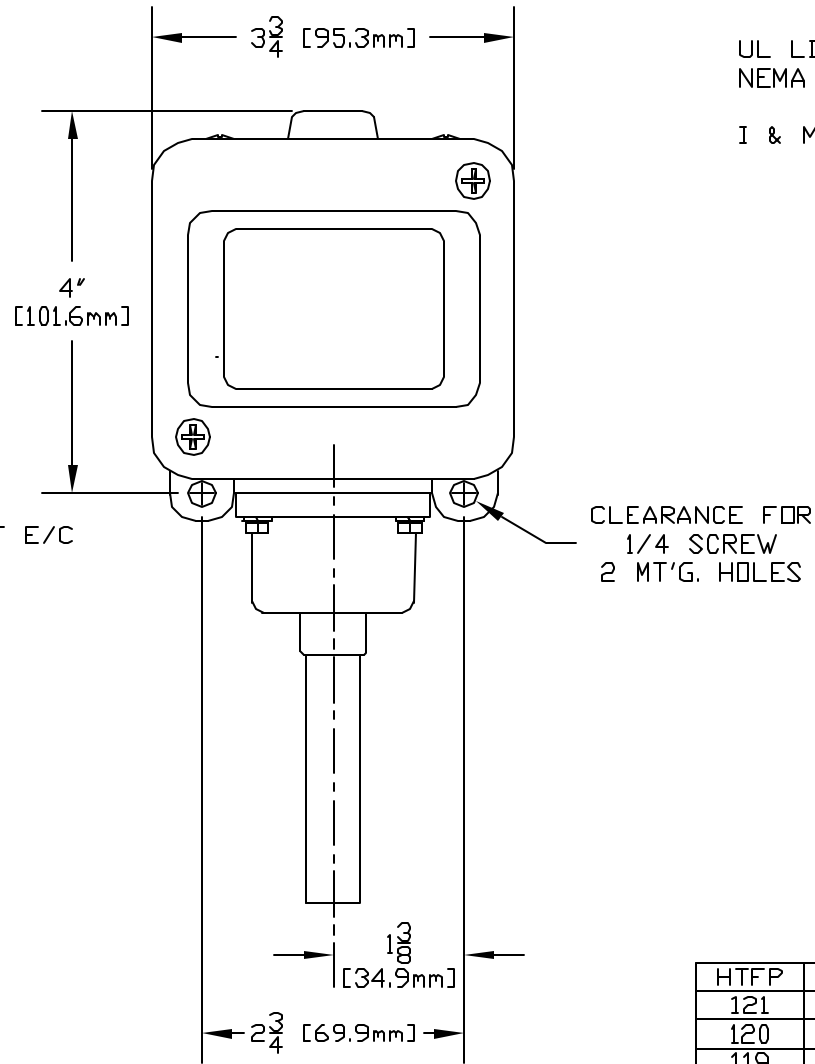


UL LISTED, CSA CERTIFIED.  
NEMA 4X

I & M SHEET IMT105



MODELS 120 & 121



MODEL 119

H7FP	15 TO 140	-10 TO 60
121	200 TO 425	95 TO 215
120	0 TO 225	-15 TO 105
119	15 TO 140	-10 TO 60
MODEL	°F	°C
NO.	ADJUSTABLE RANGE	

SYM	DESCRIPTION	DATE	DWN	APPD
Z	REVISED APPEARANCE OF DIMS., NO VALUE CHANGES. ECN#C7308	10-5-98	S.R.	L.C.
Y	UPDATED COMPONENTS AND NOTES ON "M" DWG. TO MATCH COMP. BOM. ECN#C4026	12-14-94	A.E.	J.M.
X	REDRAWN NO CHANGE.	5-25-93	P.W.	A.M.

REVISIONS

ORIGINAL DATE	9-18-78
DRWN	HELDER GARCIA
CHKD	A.J. MUSTO Jr.
APPD	W. COLBY

TITLE  
B105

UNLESS OTHERWISE SPECIFIED  
DIMENSIONS ARE IN INCHES  
TOLERANCES ON FRACTIONS ±1/64  
2 PLACE DEC 3 PLACE DEC ANGLES  
±.010 ±.005 ±1/2"  
DO NOT SCALE THIS DRAWING

SCALE 0.5:1

DF001  
REV. B

UNITED ELECTRIC  
CONTROLS COMPANY  
WATERTOWN \* MASSACHUSETTS

DWG NO  
A-11869