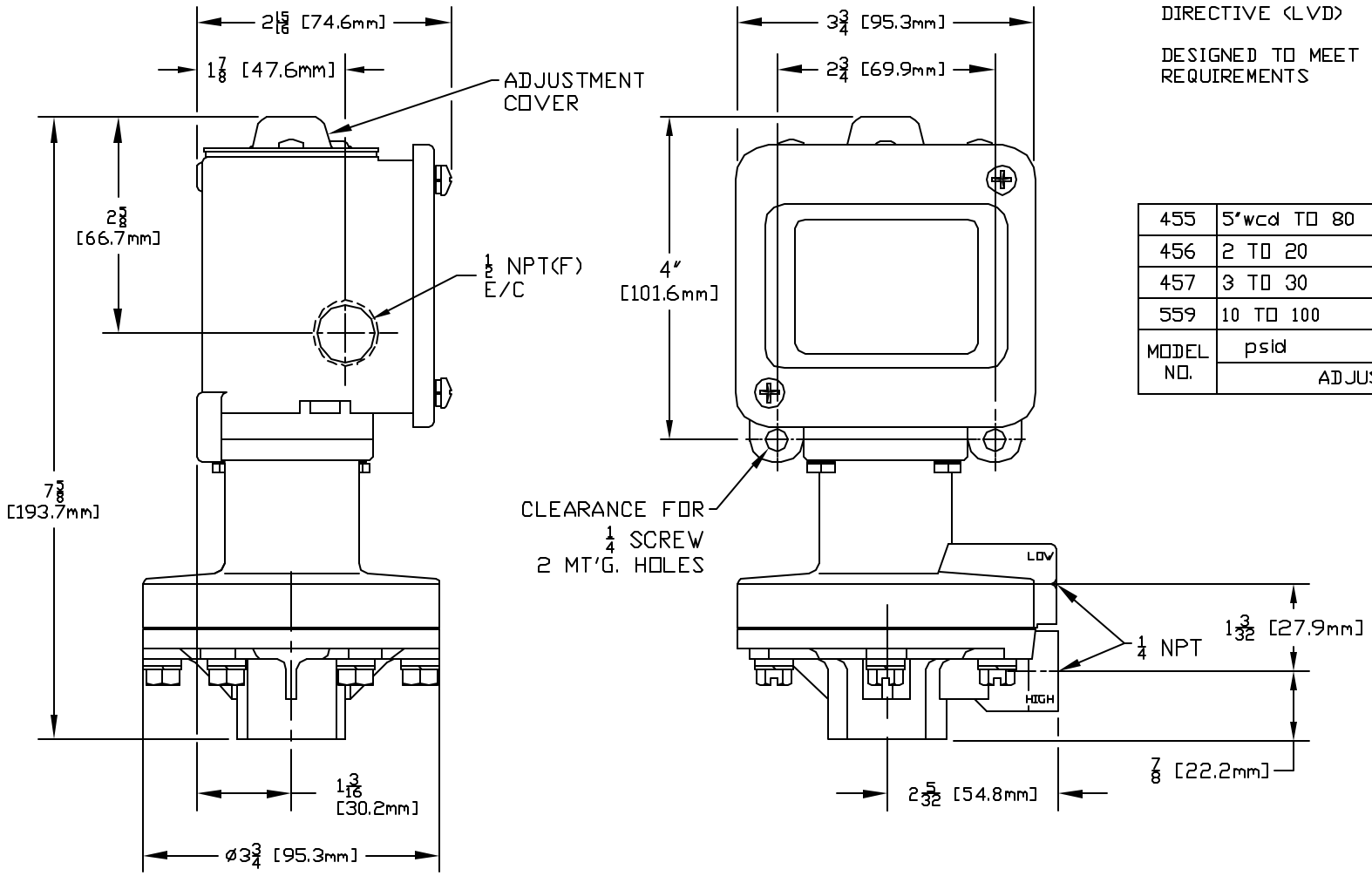


A-11867

UL LISTED, CSA CERTIFIED,
CE COMPLIANCE TO LOW VOLTAGE
DIRECTIVE (LVD)

DESIGNED TO MEET NEMA 4X
REQUIREMENTS



455	5'wcd TO 80	12.4 TO 199.1
456	2 TO 20	137.9 TO 1379
457	3 TO 30	0.2 TO 2.1 bar
559	10 TO 100	0.7 TO 6.9 bar
MODEL NO.	psld	mbar
ADJUSTABLE RANGE		

<table border="1"> <tr> <td>X</td> <td>ADDED ADJUSTABLE RANGE CHART. ECN#E0047</td> <td>10-23-02</td> <td>S.R.</td> <td>H.N.</td> </tr> <tr> <td>W</td> <td>REDRAWN. DWG WAS "B0" SIZE. ECN#C8973</td> <td>10-3-00</td> <td>S.R.</td> <td>L.K.</td> </tr> <tr> <td>SYM</td> <td>DESCRIPTION</td> <td>DATE</td> <td>DVN</td> <td>APPD</td> </tr> <tr> <td colspan="5" style="text-align: center;">REVISIONS</td> </tr> </table>	X	ADDED ADJUSTABLE RANGE CHART. ECN#E0047	10-23-02	S.R.	H.N.	W	REDRAWN. DWG WAS "B0" SIZE. ECN#C8973	10-3-00	S.R.	L.K.	SYM	DESCRIPTION	DATE	DVN	APPD	REVISIONS					<table border="1"> <tr> <td>ORIGINAL DATE</td> <td>9-18-78</td> </tr> <tr> <td>DRWN</td> <td>HELDER GARCIA</td> </tr> <tr> <td>CHKD</td> <td>A.J. MUSTO Jr.</td> </tr> <tr> <td>APPD</td> <td>AB</td> </tr> <tr> <td colspan="2">UNLESS OTHERWISE SPECIFIED DIMENSIONS ARE IN INCHES</td> </tr> </table>	ORIGINAL DATE	9-18-78	DRWN	HELDER GARCIA	CHKD	A.J. MUSTO Jr.	APPD	AB	UNLESS OTHERWISE SPECIFIED DIMENSIONS ARE IN INCHES		<table border="1"> <tr> <td>TITLE</td> <td>H105K-455 TO 457 & 559</td> </tr> <tr> <td>SCALE</td> <td>1:2</td> </tr> </table>	TITLE	H105K-455 TO 457 & 559	SCALE	1:2	<table border="1"> <tr> <td>DF001D</td> </tr> <tr> <td> </td> </tr> <tr> <td>UNITED ELECTRIC CONTROLS COMPANY WATERTOWN * MASSACHUSETTS</td> </tr> <tr> <td>DWG NO A-11867</td> </tr> </table>	DF001D		UNITED ELECTRIC CONTROLS COMPANY WATERTOWN * MASSACHUSETTS	DWG NO A-11867
	X	ADDED ADJUSTABLE RANGE CHART. ECN#E0047	10-23-02	S.R.	H.N.																																				
	W	REDRAWN. DWG WAS "B0" SIZE. ECN#C8973	10-3-00	S.R.	L.K.																																				
	SYM	DESCRIPTION	DATE	DVN	APPD																																				
REVISIONS																																									
ORIGINAL DATE	9-18-78																																								
DRWN	HELDER GARCIA																																								
CHKD	A.J. MUSTO Jr.																																								
APPD	AB																																								
UNLESS OTHERWISE SPECIFIED DIMENSIONS ARE IN INCHES																																									
TITLE	H105K-455 TO 457 & 559																																								
SCALE	1:2																																								
DF001D																																									
UNITED ELECTRIC CONTROLS COMPANY WATERTOWN * MASSACHUSETTS																																									
DWG NO A-11867																																									
DO NOT SCALE THIS DRAWING				SCALE 1:2																																					