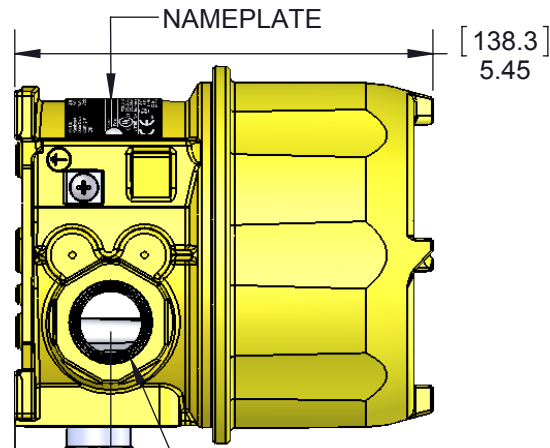


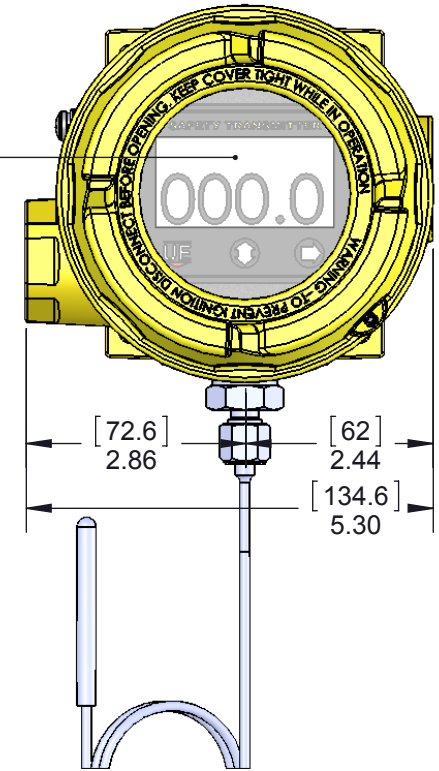
CLEARANCE FOR 1/4" BOLT (4 PLCS)

REMOTE TEMPERATURE SENSOR; 1/2" NPT (FEMALE) CONNECTION TO ENCLOSURE; MINERAL INSULATED CABLE WITH Ø0.25" X 2.50" LG. BULB



NAMEPLATE  
3/4" NPT (FEMALE) ELECTRICAL CONNECTION (2 PLCS)

DISPLAY CAN BE ROTATED 180° BOTH DIRECTIONS



**SPECIFICATIONS (CONT'D):**

ELECTRICAL:

ELECTRICAL CONNECTIONS:

POWER SUPPLY: 3 POSITION TERMINAL BLOCK, 22-14 AWG WIRE  
POWER INPUT: 4-20mA LOOP POWERED (20-40 Vdc)  
(REFERENCE I&M FOR ALLOWABLE POWER SUPPLY AND LOAD LIMITS)

SAFETY RELAY OUTPUT (SWITCH OUTPUT):  
4-POSITION TERMINAL BLOCK, 14 - 20 AWG WIRE  
250 VAC @ 5A

I/AW OUTPUT AND SWITCH STATUS OUTPUT:  
4-POSITION TERMINAL BLOCK, 14 - 26 AWG WIRE  
30VDC @20mA MAX.

**SPECIFICATIONS:**

(SPECIFICATIONS AT 25°C (77°F) AND NOMINAL VOLTAGE UNLESS OTHERWISE NOTED).

MECHANICAL:

WETTED MATERIALS: 316 STAINLESS STEEL  
ENCLOSURE: TYPE 360 ALUMINUM; EPOXY POWDER COATED

MODEL	TEMPERATURE RANGE	EXTENSION LENGTH	
		ft	[meter]
TR1	-40 TO 450°F/ -40 TO 232°C	6'	[1.8]
TRC	-40 TO 450°F/ -40 TO 232°C	UP TO 30' max. IN 1' INCREMENTS	[9.1] MAX
TH1	-40 TO 1000°F/ -40 TO 538°C	6'	[1.8]
THC	-40 TO 1000°F/ -40 TO 538°C	UP TO 30' max. IN 1' INCREMENTS	[9.1] MAX
TC1	-300 TO 200°F/ -184 TO 93°C	6'	[1.8]
TCC	-300 TO 200°F/ -184 TO 93°C	UP TO 30' max. IN 1' INCREMENTS	[9.1] MAX

THIS DOCUMENT IS PROPRIETARY PROPERTY OF UNITED ELECTRIC CONTROLS. UNAUTHORIZED USE IS STRICTLY PROHIBITED.

APPROVALS	DATE
DRAWN BY: A. KARLGREN	11/22/2013
CHECKED BY: SR	11/22/2013
APPROVED BY: AJC	11/22/2013



**UNITED ELECTRIC CONTROLS**  
LEADERS IN SAFETY, ALARM & SHUTDOWN

180 Dexter Avenue  
Watertown, MA. 02472  
617-926-1000  
www.ueonline.com

THIRD ANGLE PROJECTION

TITLE:

**2SLP47  
REMOTE TEMP.  
SAFETY XMITER**

UNLESS OTHERWISE SPECIFIED  
DIMENSIONS & TOLERANCES  
ARE IN INCHES (MM)  
INTERPRET PER ASME Y14.5M-2009

**STANDARD TOLERANCES**

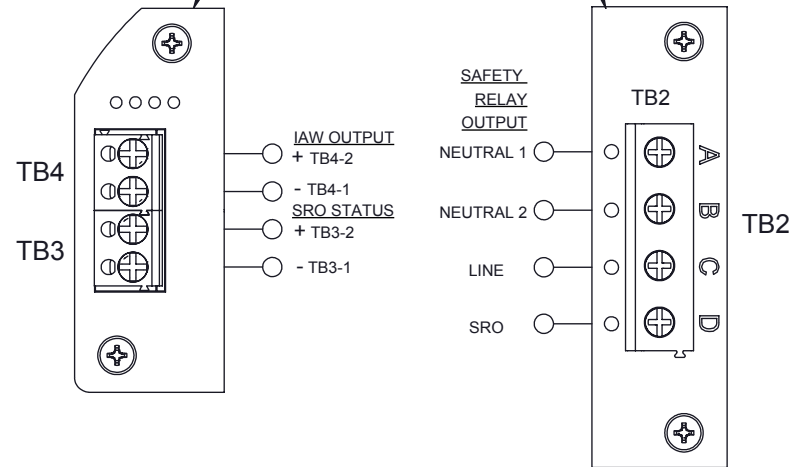
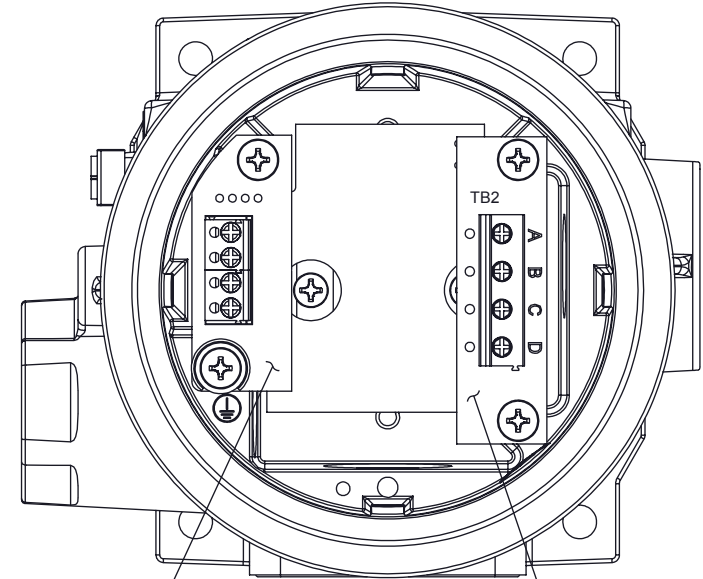
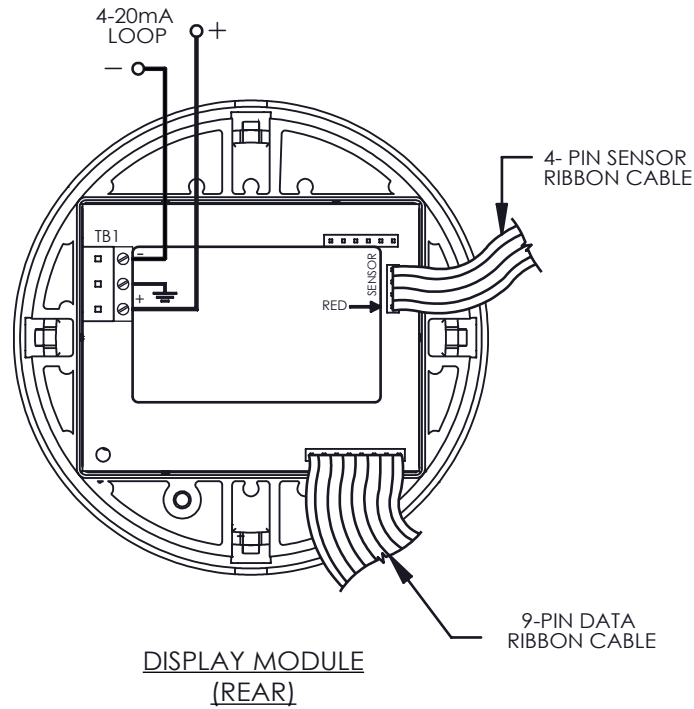
DECIMALS ANGLES  
X ± 0.03 ± 1/2°  
XX ± 0.01 FRACTIONS  
XXX ± 0.005 ± 1/64

SIZE <b>A</b>	DRAWING NO. <b>14009</b>	REV <b>G</b>
SCALE: 1:1		DO NOT SCALE THIS DRAWING
SHEET 1 OF 2		

REV	ECN#	DESCRIPTION	DATE	DRWN	APPD
G	E6315	REDRAWN. CHANGED TWO 2-POSITION TERMINAL BLOCKS FOR THE SWITCH STATUS AND IAW OUTPUTS TO ONE 4-POSITION TERMINAL BLOCK. CHANGED AWG RATING FROM 16-26 TO 14-26.	8/3/18	SR	JCG
REVISION HISTORY					

2SLP47 WIRING DIAGRAM

BASE ENCLOSURE



UEDOC # : DE733010102 - Rev. C

THIS DOCUMENT IS PROPRIETARY PROPERTY OF UNITED ELECTRIC CONTROLS. UNAUTHORIZED USE IS STRICTLY PROHIBITED.

**THIRD ANGLE PROJECTION**

UNLESS OTHERWISE SPECIFIED DIMENSIONS & TOLERANCES ARE IN INCHES (MM) INTERPRET PER ASME Y14.5M-2009

**STANDARD TOLERANCES**

DECIMALS	ANGLES
X ± 0.03	± 1/2°
XX ± 0.01	FRACTIONS ± 1/64
XXX ± 0.005	

**UE UNITED ELECTRIC CONTROLS**  
LEADERS IN SAFETY, ALARM & SHUTDOWN

180 Dexter Avenue  
Watertown, MA. 02472  
617-926-1000  
www.ueonline.com

SIZE	DRAWING NO.	REV
<b>A</b>	14009	<b>G</b>
SCALE: 1:1 DO NOT SCALE THIS DRAWING		SHEET 2 OF 2